

**art.DXA/R**

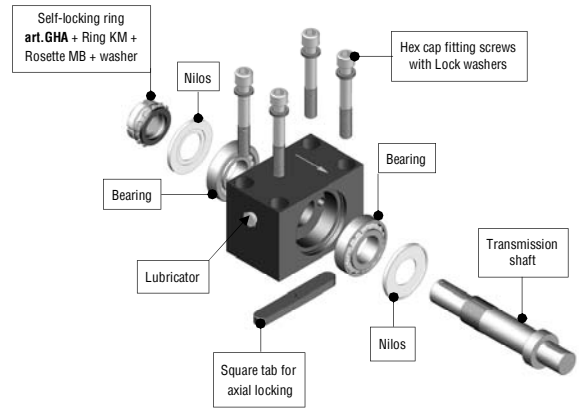
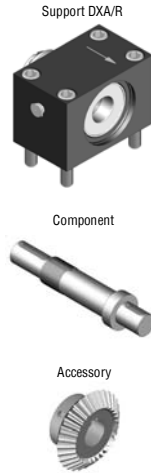
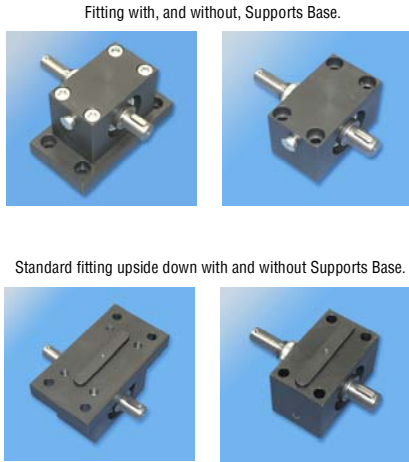
**SUPPORTS FOR ROTATING SHAFTS mod.20/60** in nitrided steel with axial/radial bearings and accessories.

The **DXA/R** Supports with opposing conical roller bearings, are used by us inside the mobile Platforms to guide the rotation of the shaft on which are fixed the bevel gears, or pinions, or cogwheels for drive transmission, as well as the examples of use illustrated below.

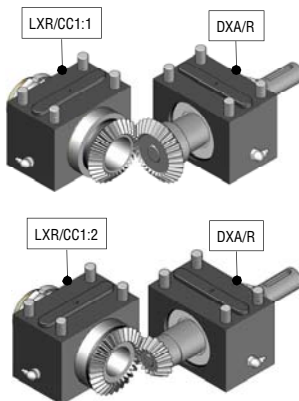
The **DXA/R** and **LXR/...** Supports, as well as being used as components on our mobile Platforms, can also be used with Supports Bases **BD LXR** (listed on the following pages) in order to even out the heights for alignment.

**Assembled DXA/R Support with shaft and components/accessories.**

**Support DXA/R - exploded diagram with components/accessories.**

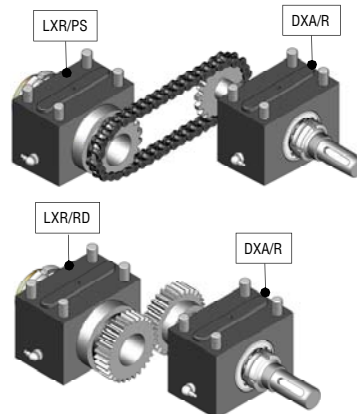


**Examples of applications:**



Support **DXA/R** with shaft  
Combined with Support **LXR/CC1:1**

Support **DXA/R** with shaft  
Combined with Support **LXR/CC1:2**

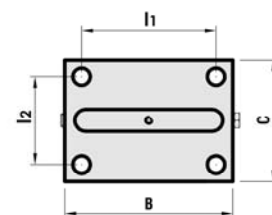
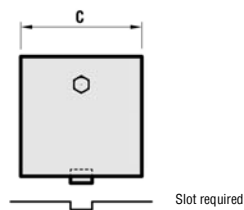
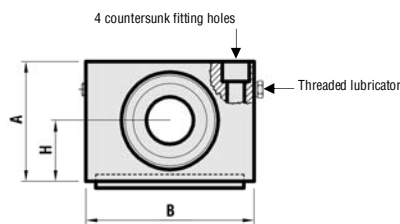


Support **DXA/R** with shaft  
Combined with Support **LXR/PS**.

Support **DXA/R** with shaft  
Combined with Support **LXR/RD**.



— Supports **DXA/R** and **LXR/...** can also be used without Supports Bases as illustrated above, but normally they are assembled with Supports Bases **BD LXR** or even with the **PM/BD R**



— **C** = Nett size of supports excluding components

— Approximate weight of support with accessories and fitting bolts, Excluding Supports Base **BD LXR**.

MODELLI	CODICE	ARTICOLO	A	B	C	H	Ø internal of bearings	l1	l2	Hex. Cap screws for fitting	Slot required for fitting	Lubricator thread	WEIGHT Kg
mod. 20	303SF220	DXA 20 22	54	80	50	27,5	15	60	32	M8x60	Ø12x72x4	1/8G	1,840
mod. 25	303SF225	DXA 24 25 26	64	95	55	32,5	17	75	35	M10x75	Ø14x82x4,5	1/8G	2,880
mod. 30	303SF230	DXA 28 30 32	69	100	60	35	20	80	40	M10x80	Ø14x92x4,5	1/8G	3,440
mod. 35 36	303SF23536	DXA 35 36	79	110	70	40	25	90	50	M10x90	Ø14x102x4,5	1/8G	5,180
mod. 40	303SF240	DXA 40	84	120	75	42,5	30	95	50	M12x100	Ø16x112x5	1/8G	6,320
mod. 45	303SF245	DXA 45 46	89	125	90	45	35	100	65	M12x100	Ø16x112x5	1/8G	8,250
mod. 50	303SF250	DXA 50	99	130	90	50	40	105	65	M12x110	Ø16x122x5	1/8G	9,800
mod. 55	303SF255	DXA 55	109	150	109	55	40	122	80	M14x120	Ø16x142x5	1/8G	14,580
mod. 60	303SF260	DXA 60	109	150	109	55	45	122	80	M14x120	Ø16x142x5	1/8G	14,980

— To comply with safety regulations it is obligatory to use the locking tabs, the fitting hardware supplied, and ensuring that the arrows engraved in the supports are all facing in the same direction, which for vertical/oblique movements must be facing downwards.