



art.PM(D)(S)/LXR/CC1:1

MOBILE PLATFORMS WITH ROTATING NUT mod.20/60 in nitrided steel with bronze flange nut, 1:1 ratio paired bevel gears and accessories (Platform made on Supports Base PM/BD R ...). The standard rotating nut has a right thread; **if requested, it can be made with a left thread as a special item.**

Assembled mobile Platform PMS/LXR/CC1:1 ...

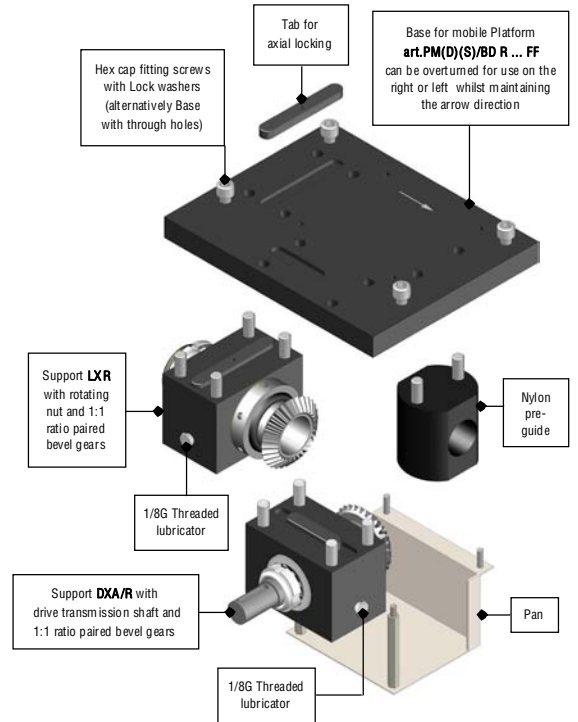
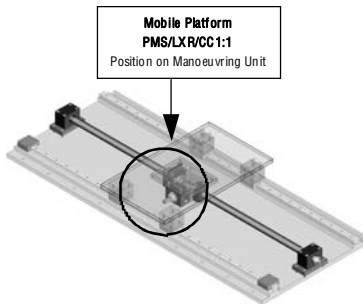
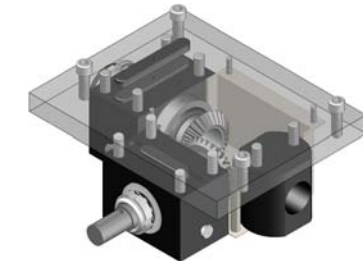
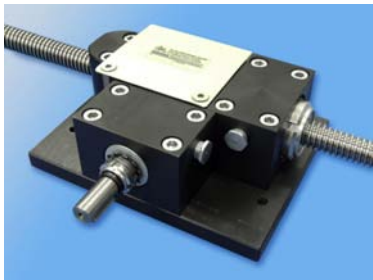


Platform PMS/LXR/CC1:1 - exploded diagram

Standard fitting on the mobile part above with bolts from above (alternatively with bolts from below).

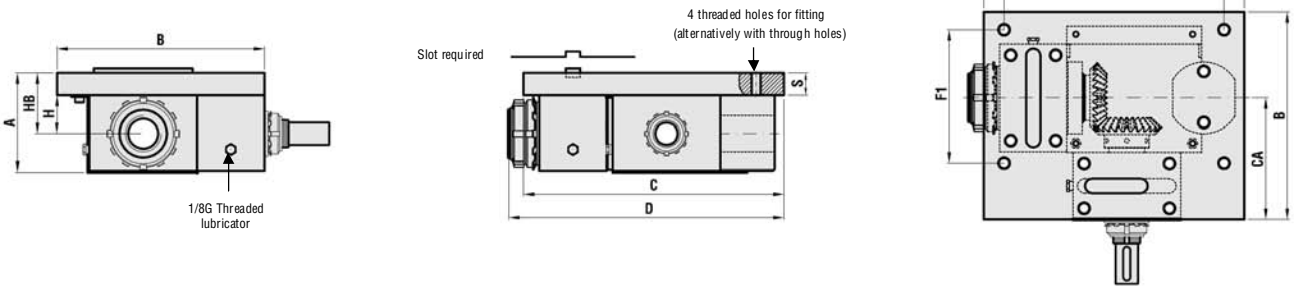


Standard fitting on the mobile part below with bolts from below (alternatively with bolts from above).



- > On request it is possible to use two different special accessories on the mobile Platform of which one for **play adjustment**, whilst the other in vertical/oblique use has the function of **indicating rotary nut wear** (see page .233).
- > **As shown on page 235 the mobile Platform has to be ordered specifying the drive input side, "PMD" (right) otherwise "PMS" (left), to ensure correct fitting.**

> Complete diagrams showing how to fit to the machine are on page 264



> **D = Nett size of the mobile Group on the trapezoidal screw**

> **Approximate weight of the mobile Platform complete with Supports Base PM/BDR and fitting bolts.**

NUT CFB/HR	CODE Dx	ARTICLE Dx	A +pan mm 12	B	C	D	S	H	HB	Module x Number of teeth x External diameter	F1	F3	Hex. Cap screws for fitting	Slot required for fitting	CA axis centre	WEIGHT Kg
TR 20x4	303PM.204R	PM(D)(S)/LXR/CC1:1 TR 20x4 R	69	150	190	190	15	27,5	42,5	2x25x52.8	100	160	M8	Ø12x7x4	90	7,530
TR 25x5	303PM.255R	PM(D)(S)/LXR/CC1:1 TR 25x5 R	84	180	240	240	20	32,5	52,5	2x30x62.8	115	200	M10	Ø14x8x4,5	102,5	13,300
TR 30x6	303PM.306R	PM(D)(S)/LXR/CC1:1 TR 30x6 R	89	200	245	250	20	35	55	2x30x62.8	120	205	M10	Ø14x9x4,5	110	15,310
TR 35x6	303PM.356R	PM(D)(S)/LXR/CC1:1 TR 35x6 R	99	220	265	275	20	40	60	2.5x25x66	130	225	M10	Ø14x10x4,5	125	20,270
TR 36x6	303PM.366R	PM(D)(S)/LXR/CC1:1 TR 36x6 R	99	220	265	275	20	40	60	2.5x25x66	130	225	M10	Ø14x10x4,5	125	20,250
TR 40x7	303PM.407R	PM(D)(S)/LXR/CC1:1 TR 40x7 R	109	250	290	308	25	42,5	67,5	2.5xZ30x78.5	145	245	M12	Ø16x11x5	135	27,570
TR 45x8	303PM.458R	PM(D)(S)/LXR/CC1:1 TR 45x8 R	114	250	300	310	25	45	70	3x25x79.2	150	255	M12	Ø16x11x5	152,5	31,770
TR 50x8	303PM.508R	PM(D)(S)/LXR/CC1:1 TR 50x8 R	124	250	330	350	25	50	75	3x30x94.2	155	285	M12	Ø16x12x5	155	36,760
TR 55x9	303PM.559R	PM(D)(S)/LXR/CC1:1 TR 55x9 R	139	300	390	406	30	55	85	3x30x94.2	180	340	M14	Ø16x14x5	185	57,590
TR 60x9	303PM.609R	PM(D)(S)/LXR/CC1:1 TR 60x9 R	139	300	390	406	30	55	85	3x32x99,5	180	340	M14	Ø16x14x5	185	58,450

- > The supports above are shown assembled in the **Rotary nut**, Groups (see preceding pages) for which it is possible to calculate the total weight by adding them to the weight of the TR screw using the table on page 182
- > **To comply with safety regulations it is obligatory to use the locking tabs, the fitting hardware supplied, and ensuring that the arrows engraved in the supports are all facing in the same direction, which for vertical/oblique movements must be facing downwards.**

Photos, diagrams and technical data are the exclusive property of Bimeccanica srl. All rights reserved.