

**art.LXR/PD**

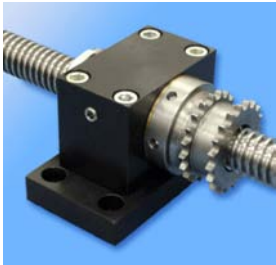
**MOBILE SUPPORTS WITH ROTATING NUT mod.20/60** in nitrided steel with bronze flange nut, double pinion for chain and accessories. (item including Supports Base BD LXR). The standard rotating nut has a right thread; if requested, it can be made with a left thread as a special item.

**Support LXR/PD assembled with Supports Base**

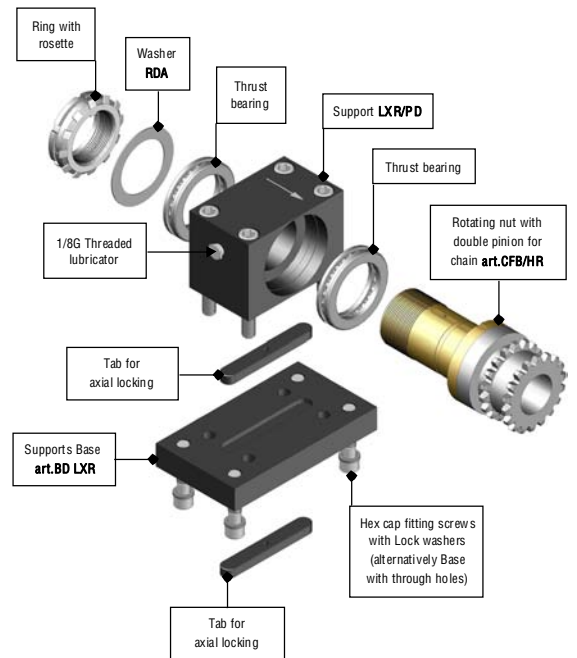
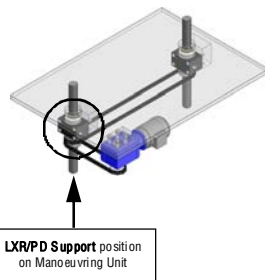


**Support LXR/PD - exploded diagram**

Fitting on the mobile part below

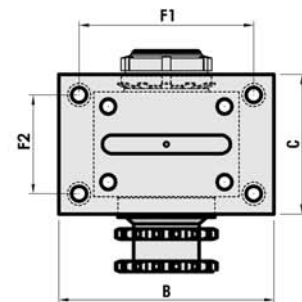
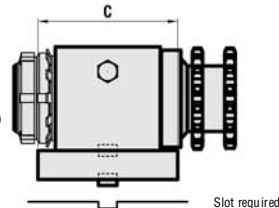
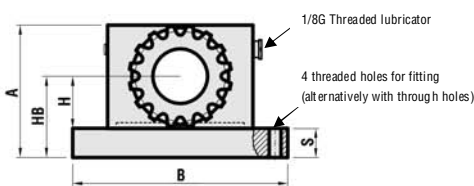


Fitting on the mobile part above



> On request it is possible to use two different special accessories on the mobile Platform of which one for **play adjustment**, whilst the other in vertical/oblique use has the function of **indicating rotary nut wear** (see page 233).

> Complete diagrams showing how to fit to the machine are on page 264



> C = Nett size of Base BD LXR excluding components

> Approximate weight of support with Supports Base BD LXR, accessories and fitting bolts.

NUT CFB/HR	CODE	ARTICLE	A	B	C	S	H	HB	Pinion x Number of teeth x External diameter	F1	F2	Hex. Cap screws for fitting	Slot required for fitting	WEIGHT Kg
TR 20x4	303SM1204R	LXR/PD TR 20x4 R	69	120	70	15	27,5	42,5	3/8-7/32xZ16x52.3	100	50	M8	Ø12x72x4	2,920
TR 25x5	303SM1255R	LXR/PD TR 25x5 R	84	145	80	20	32,5	52,5	3/8-7/32xZ18x58.3	115	50	M10	Ø14x82x4,5	4,830
TR 30x6	303SM1306R	LXR/PD TR 30x6 R	89	150	80	20	35	55	3/8-7/32xZ20x64.3	120	50	M10	Ø14x92x4,5	5,550
TR 35x6	303SM1356R	LXR/PD TR 35x6 R	99	160	100	20	40	60	1/2-5/16xZ16x69.5	130	70	M10	Ø14x102x4,5	8,010
TR 36x6	303SM1366R	LXR/PD TR 36x6 R	99	160	100	20	40	60	1/2-5/16xZ16x69.5	130	70	M10	Ø14x102x4,5	9,070
TR 40x7	303SM1407R	LXR/PD TR 40x7 R	109	180	100	25	42,5	67,5	1/2-5/16xZ18x77.8	145	65	M12	Ø16x112x5	10,980
TR 45x8	303SM1458R	LXR/PD TR 45x8 R	114	185	120	25	45	70	5/8-3/8xZ16x88	150	85	M12	Ø16x112x5	13,120
TR 50x8	303SM1508R	LXR/PD TR 50x8 R	124	190	120	25	50	75	5/8-3/8xZ16x88	155	85	M12	Ø16x122x5	17,870
TR 55x9	303SM1559R	LXR/PD TR 55x9 R	139	220	150	30	55	85	5/8-3/8xZ18x98.3	180	110	M14	Ø16x142x5	22,700
TR 60x9	303SM1609R	LXR/PD TR 60x9 R	139	220	150	30	55	85	5/8-3/8xZ18x98.3	180	110	M14	Ø16x142x5	43,640

> The supports above are shown assembled in the **Rotary nut**, Groups (see preceding pages) for which it is possible to calculate the total weight by adding them to the weight of the TR screw using the table on page 182

> To comply with safety regulations it is obligatory to use the locking tabs, the fitting hardware supplied, and ensuring that the arrows engraved in the supports are all facing in the same direction, which for vertical/oblique movements must be facing downwards.