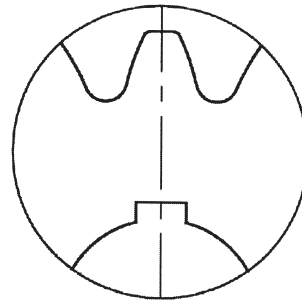
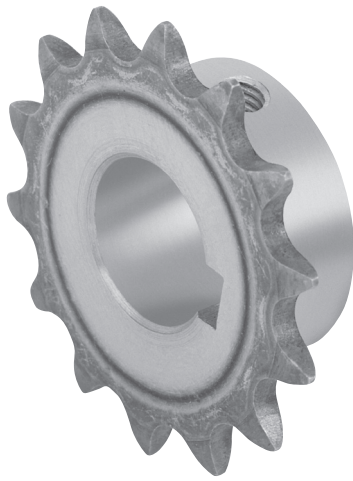


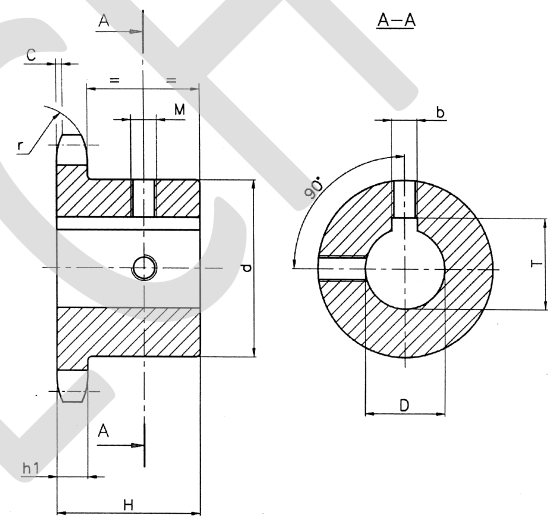


FISATEC



Kolesá majú indukčne kalené zuby na 45-55 HRC.
Os perodrážky je v osi zuba.

D (H7)	b (H9)	T		M
10	3	D + 1,4	(+0,1/0)	M3
11	4	D + 1,8	(+0,1/0)	M3
12	4	D + 1,8	(+0,1/0)	M3
14	5	D + 2,3	(+0,1/0)	M4
15	5	D + 2,3	(+0,1/0)	M4
16	5	D + 2,3	(+0,1/0)	M4
18	6	D + 2,8	(+0,1/0)	M5
19	6	D + 2,8	(+0,1/0)	M5
20	6	D + 2,8	(+0,1/0)	M5
22	6	D + 2,8	(+0,2/0)	M5
24	8	D + 3,3	(+0,2/0)	M6
25	8	D + 3,3	(+0,2/0)	M6
28	8	D + 3,3	(+0,2/0)	M6
30	8	D + 3,3	(+0,2/0)	M6
32	10	D + 3,3	(+0,2/0)	M8
35	10	D + 3,3	(+0,2/0)	M8
38	10	D + 3,3	(+0,2/0)	M8
40	12	D + 3,3	(+0,2/0)	M10
42	12	D + 3,3	(+0,2/0)	M10
45	14	D + 3,8	(+0,2/0)	M12
48	14	D + 3,8	(+0,2/0)	M12
50	14	D + 3,8	(+0,2/0)	M12
60	18	D + 4,4	(+0,2/0)	M12
65	18	D + 4,4	(+0,2/0)	M12
70	20	D + 4,9	(+0,2/0)	M12

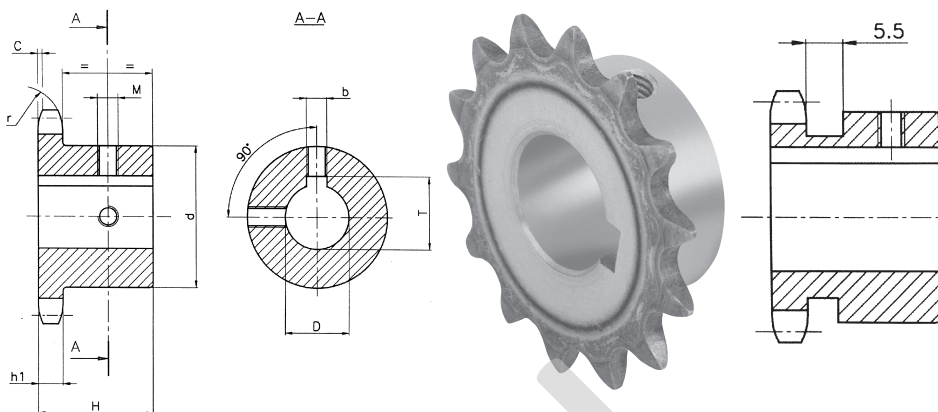


06B-1 9,525 x 5,72 mm 3/8" x 7/32"

DIN 8187 ISO/R606

RETAZ	ISO mm
ROZOSTUP	9,525
VNUTORNÁ SIRKA	5,720
VALCEK ϕ	6,350

KOLESO	Material C45E
r	10,0
C	1,0
h_1	5,3



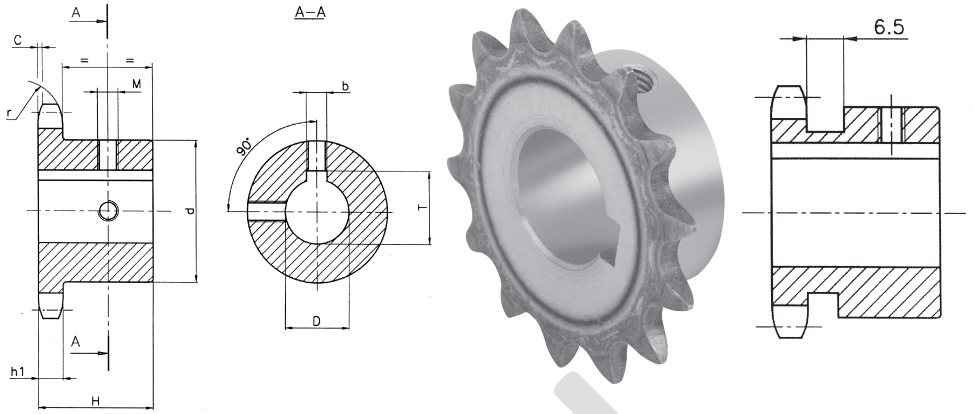
Kod	Z	D	H	d	Kod	Z	D	H	d	Kod	Z	D	H	d
05SA010	10	10	22	24*	05SB416	16	24	28	42*	05SA821	21	18	28	48
05SA110		11		05SB516	25		05SA921			19				
05SA210		12		05SA217	12	05SB021	20							
05SA410		14		05SA417	14	05SB221	22							
05SA011	11	10	25	24	05SA517	17	15	28	40	05SB421	22	24	28	50
05SA211		12		05SA617	16		05SB521			25				
05SA411		14		05SA817	18		05SA522			15				
05SA511		15		05SA917	19		05SA622			16				
05SA611	12	16	25	31*	05SB017	18	20	28	42	05SA822	23	18	28	52
05SA012		10		05SB217	22		05SA922			19				
05SA212		12		05SB417	24		05SB022			20				
05SA412		14		05SB517	25		05SB222			22				
05SA512	13	15	25	30*	05SA218	18	12	28	43	05SB422	24	24	28	54
05SA612		16		05SA418	14		05SB522			25				
05SA013		10		05SA518	15		05SA523			15				
05SA213		12		05SA618	16		05SA623			16				
05SA413	14	14	25	29	05SA818	19	18	28	45	05SA823	24	18	28	57
05SA513		15		05SA918	19		05SA923			19				
05SA613		16		05SB018	20		05SB023			20				
05SA813		18		05SB218	22		05SB223			22				
05SA214	15	12	25	28	05SB418	20	24	28	46	05SB423	30	24	30	60
05SA414		14		05SB518	25		05SA624			16				
05SA514		15		05SA219	12		05SA824			18				
05SA614		16		05SA419	14		05SA924			19				
05SA814	16	18	28	35*	05SA519	21	15	28	48	05SB024	30	20	30	60
05SA914		19		05SA619	16		05SB224			22				
05SA215		12		05SA819	18		05SB424			24				
05SA415		14		05SA919	19		05SB524			25				
05SA515	17	15	25	34	05SB019	22	20	28	48	05SA625	30	16	30	60
05SA615		16		05SB219	22		05SA825			18				
05SA815		18		05SB419	24		05SA925			19				
05SA915		19		05SB519	25		05SB025			20				
05SB015	18	20	28	36	05SA220	23	12	28	50	05SB225	30	22	30	60
05SB215		22		05SA420	14		05SB425			24				
05SB415		24		05SA520	15		05SB525			25				
05SB515		25		05SA620	16		05SB030			20				
05SA216	19	12	28	42*	05SA820	24	18	28	46	05SB230	30	22	30	60
05SA416		14		05SA920	19		05SB430			24				
05SA516		15		05SB020	20		05SB530			25				
05SA616		16		05SB220	22		05SB830			28				
05SA816	20	18	28	37	05SB420	21	24	28	48	05SC030	30	30	30	60
05SA916		19		05SB520	25		05SA521			15				
05SB016		20		05SA621	16		05SA621			16				
05SB216		22												

08B-1 12,7 x 7,75 mm 1/2" x 5/16"

DIN 8187 ISO/R606

RETAZ	ISO mm
ROZOSTUP	12,7
VNUTORNÁ SIRKA	7,8
VALCEK ϕ	8,5

KOLESO	Material C45E
r	13,0
C	1,3
h_1	7,2



Kod	Z	D	H	d
09SA210	10	12	25	26
09SA410	10	14	25	29*
09SA510	10	15	25	30*
09SA610	10	16	25	31*
09SA211	11	12	25	29
09SA411	11	14	25	30
09SA511	11	15	25	31
09SA611	11	16	25	34*
09SA811	11	18	25	35*
09SA911	11	19	25	35*
09SA212	12	12	28	35
09SA412	12	14	28	36
09SA512	12	15	28	38*
09SA612	12	16	28	41*
09SA812	12	18	28	42*
09SA912	12	19	28	42*
09SB012	12	20	28	42*
09SB212	12	22	28	42*
09SB412	12	24	28	42*
09SB512	12	25	28	42*
09SA213	13	12	28	37
09SA413	13	14	28	37
09SA513	13	15	28	37
09SA613	13	16	28	37
09SA813	13	18	28	37
09SA913	13	19	28	37
09SB013	13	20	28	37
09SB213	13	22	28	37
09SB413	13	24	28	37
09SB513	13	25	28	37
09SB813	13	28	28	37
09SA214	14	12	41	45*
09SA414	14	14	41	45*
09SA514	14	15	41	45*
09SA614	14	16	41	45*
09SA814	14	18	41	45*
09SA914	14	19	41	45*
09SB014	14	20	41	45*
09SB214	14	22	41	45*
09SB414	14	24	41	45*
09SB514	14	25	41	45*
09SB814	14	28	41	45*
09SA215	15	12	28	45
09SA415	15	14	28	45

Kod	Z	D	H	d
09SA515	15	15	28	45
09SA615	15	16	28	45
09SA815	15	18	28	45
09SA915	15	19	28	45
09SB015	15	20	28	45
09SB215	15	22	28	45
09SB415	15	24	28	45
09SB515	15	25	28	45
09SB815	15	28	28	45
09SC015	15	30	28	47
09SC215	15	32	28	49*
09SA516	16	15	28	50
09SA616	16	16	28	50
09SA816	16	18	28	50
09SA916	16	19	28	50
09SB016	16	20	28	50
09SB216	16	22	28	50
09SB416	16	24	28	50
09SB516	16	25	28	50
09SB816	16	28	28	50
09SC016	16	30	28	53*
09SC216	16	32	28	53*
09SA517	17	15	28	52
09SA617	17	16	28	52
09SA817	17	18	28	52
09SA917	17	19	28	52
09SB017	17	20	28	52
09SB217	17	22	28	52
09SB417	17	24	28	52
09SB517	17	25	28	52
09SB817	17	28	28	52
09SC017	17	30	28	52
09SC217	17	32	28	52
09SA618	18	16	28	56
09SA818	18	18	28	56
09SA918	18	19	28	56
09SB018	18	20	28	56
09SB218	18	22	28	56
09SB418	18	24	28	56
09SB518	18	25	28	56
09SB818	18	28	28	56
09SC018	18	30	28	56
09SC218	18	32	28	56
09SC518	18	35	28	56

Kod	Z	D	H	d
09SC818	18	38	28	56
09SA619	19	16	28	60
09SA819	19	18	28	60
09SA919	19	19	28	60
09SB019	19	20	28	60
09SB219	19	22	28	60
09SB419	19	24	28	60
09SB519	19	25	28	60
09SB819	19	28	28	60
09SC019	19	30	28	60
09SC219	19	32	28	60
09SC519	19	35	28	60
09SC819	19	38	28	60
09SA620	20	16	28	64
09SA820	20	18	28	64
09SA920	20	19	28	64
09SB020	20	20	28	64
09SB220	20	22	28	64
09SB420	20	24	28	64
09SB520	20	25	28	64
09SB820	20	28	28	64
09SC020	20	30	28	64
09SC220	20	32	28	64
09SC520	20	35	28	64
09SC820	20	38	28	64
09SA621	21	16	28	68
09SA821	21	18	28	68
09SA921	21	19	28	68
09SB021	21	20	28	68
09SB221	21	22	28	68
09SB421	21	24	28	68
09SB521	21	25	28	68
09SB821	21	28	28	68
09SC021	21	30	28	68
09SC221	21	32	28	68
09SC521	21	35	28	68
09SC821	21	38	28	68
09SA622	22	16	28	70
09SA822	22	18	28	70
09SA922	22	19	28	70
09SB022	22	20	28	70
09SB222	22	22	28	70
09SB422	22	24	28	70
09SB522	22	25	28	70

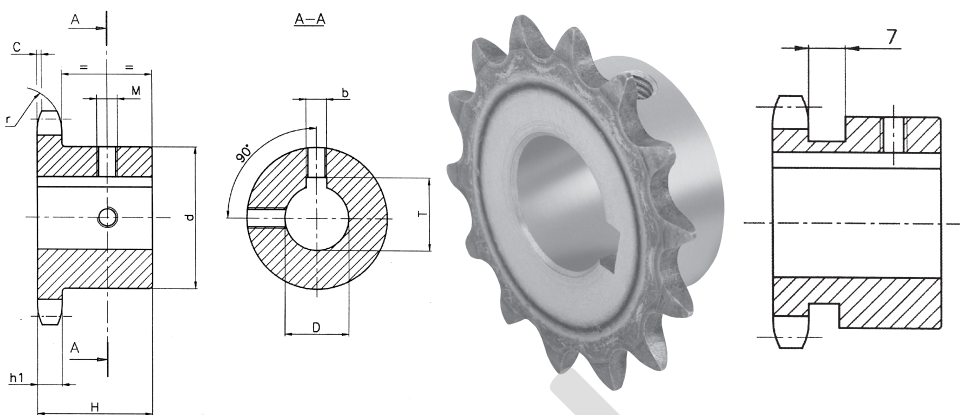
Kod	Z	D	H	d
09SB822	22	28	28	70
09SC022	22	30	28	70
09SC222	22	32	28	70
09SC522	22	35	28	70
09SC822	22	38	28	70
09SA923	23	19	28	70
09SB023	23	20	28	70
09SB223	23	22	28	70
09SB423	23	24	28	70
09SB523	23	25	28	70
09SB823	23	28	28	70
09SC023	23	30	28	70
09SC223	23	32	28	70
09SC523	23	35	28	70
09SC823	23	38	28	70
09SA924	24	19	28	70
09SB024	24	20	28	70
09SB224	24	22	28	70
09SB424	24	24	28	70
09SB524	24	25	28	70
09SB824	24	28	28	70
09SC024	24	30	28	70
09SC224	24	32	28	70
09SC524	24	35	28	70
09SC824	24	38	28	70
09SA925	25	19	28	70
09SB025	25	20	28	70
09SB225	25	22	28	70
09SB425	25	24	28	70
09SB525	25	25	28	70
09SB825	25	28	28	70
09SC025	25	30	28	70
09SC225	25	32	28	70
09SC525	25	35	28	70
09SC825	25	38	28	70
09SB530	30	25	30	80
09SB830	30	28	30	80
09SC030	30	30	30	80
09SC230	30	32	30	80
09SC530	30	35	30	80
09SC830	30	38	30	80

10B-1 15,875 x 9,65 mm 5/8" x 3/8"

DIN 8187 ISO/R606

RETAZ	ISO mm
ROZOSTUP	15,875
VNUTORNÁ SIRKA	9,700
VALCEK ϕ	10,000

KOLESO	Material C45E
r	16,0
C	1,6
h_1	9,1



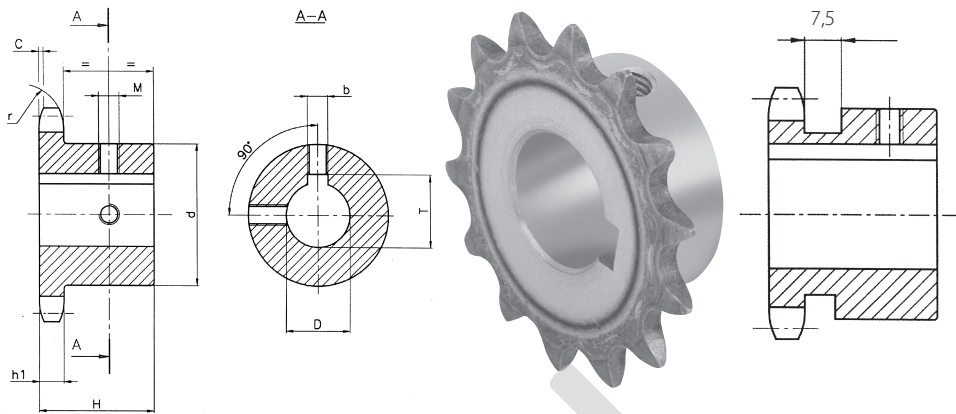
Kod	Z	D	H	d	Kod	Z	D	H	d	Kod	Z	D	H	d	Kod	Z	D	H	d	
10SA510	10	15	25	35	10SB814	14	28	30	52	10SA919	19	19	30	70	10SC522	22	35	30	80	80
10SA610		16			10SC014		30			10SB019		20			10SC822		38			
10SA910		19			10SC214		32			10SB219		22			10SD022		40			
10SB010		20			10SA915		19			10SB419		24			10SD222		42			
10SB410		24			10SB015		20			10SB519		25			10SA923		19			
10SA511	11	15	30	37	10SB215	15	22	30	57	10SB819	19	28	30	70	10SB023	23	20	30	80	80
10SA611		16			10SB415		24			10SC019		30			10SB223		22			
10SA811		18			10SB515		25			10SC219		32			10SB423		24			
10SA911		19			10SB815		28			10SC519		35			10SB523		25			
10SB011		20			10SC015		30			10SC819		38			10SB823		28			
10SB411		24			10SC215		32			10SD019		40			10SC023		30			
10SB511		25			10SC515		35			10SD219		42			10SC223		32			
10SB811	28	10SA916	19	10SA920	19	10SC523	35													
10SC011	30	10SB016	20	10SB020	20	10SC823	38													
10SA512	12	15	30	42	10SB216	16	22	30	60	10SB220	20	22	30	75	10SD023	24	40	30	80	80
10SA612		16			10SB416		24			10SB420		24			10SD223		42			
10SA812		18			10SB516		25			10SB520		25			10SA924		19			
10SA912		19			10SB816		28			10SB820		28			10SB024		20			
10SB012		20			10SC016		30			10SC020		30			10SB224		22			
10SB212		22			10SC216		32			10SC220		32			10SB424		24			
10SB412		24			10SC516		35			10SC520		35			10SB524		25			
10SB512		25			10SC816		38			10SC820		38			10SB824		28			
10SB812		28			10SA917		19			10SD020		40			10SC024		30			
10SC012		30			10SB017		20			10SD220		42			10SC224		32			
10SC212	32	10SB217	22	10SA921	19	10SC524	35													
10SA513	13	15	30	47	10SB417	17	24	30	60	10SB021	21	20	30	75	10SC824	25	38	30	80	80
10SA613		16			10SB517		25			10SB221		22			10SD024		40			
10SA813		18			10SB817		28			10SB421		24			10SD224		42			
10SA913		19			10SC017		30			10SB521		25			10SA925		19			
10SB013		20			10SC217		32			10SB821		28			10SB025		20			
10SB213		22			10SC517		35			10SC021		30			10SB225		22			
10SB413		24			10SB817		38			10SC221		32			10SB425		24			
10SB513		25			10SA918		19			10SC521		35			10SB525		25			
10SB813		28			10SB018		20			10SC821		38			10SB825		28			
10SC013		30			10SB218		22			10SD021		40			10SC025		30			
10SC213		32			10SB418		24			10SD221		42			10SC225		32			
10SA514	14	15	30	52	10SB518	18	25	30	70	10SA922	22	19	30	80	10SC525	25	35	30	80	80
10SA614		16			10SB818		28			10SB022		20			10SC825		38			
10SA814		18			10SC018		30			10SB222		22			10SD025		40			
10SA914		19			10SC218		32			10SB422		24			10SD225		42			
10SB014		20			10SC518		35			10SB522		25								
10SB214		22			10SC818		38			10SB822		28								
10SB414		24			10SD018		40			10SC022		30								
10SB514		25			10SD218		42			10SC222		32								

12B-1 19,05 x 11,68 mm 3/4" x 7/16"

DIN 8187 ISO/R606

RETAZ	ISO mm
ROZOSTUP	19,05
VNUTORNÁ SIRKA	11,68
VALCEK ϕ	12,07

KOLESO	Material C45E
r	19,0
C	2,0
h_1	11,1



Kod	Z	D	H	d
11SA910	10	19		
11SB010	10	20		42
11SB410	10	24	30	
11SB510	10	25	30	
11SB810	10	28	30	45
11SC010	10	30	30	47*
11SC210	10	32	30	49*
11SA911	11	19		
11SB011	11	20		46
11SB411	11	24	35	
11SB511	11	25	35	
11SB811	11	28	35	49
11SC011	11	30	35	51
11SC211	11	32	35	53*
11SA912	12	19		
11SB012	12	20		52
11SB212	12	22	35	
11SB412	12	24	35	
11SB512	12	25	35	
11SB812	12	28	35	58
11SC012	12	30	35	
11SC212	12	32	35	53
11SC512	12	35	35	56
11SA913	13	19		
11SB013	13	20		58
11SB213	13	22	35	
11SB413	13	24	35	
11SB513	13	25	35	
11SB813	13	28	35	64
11SC013	13	30	35	
11SC213	13	32	35	
11SC513	13	35	35	
11SC813	13	38	35	
11SA914	14	19		
11SB014	14	20		64
11SB214	14	22	35	
11SB414	14	24	35	
11SB514	14	25	35	
11SB814	14	28	35	64
11SC014	14	30	35	
11SC214	14	32	35	
11SC514	14	35	35	
11SC814	14	38	35	
11SD014	14	40	35	67

Kod	Z	D	H	d
11SA915	15	19		
11SB015	15	20		70
11SB215	15	22	35	
11SB415	15	24	35	
11SB515	15	25	35	
11SB815	15	28	35	70
11SC015	15	30	35	
11SC215	15	32	35	
11SC515	15	35	35	
11SC815	15	38	35	
11SD015	15	40	35	
11SA916	16	19		
11SB016	16	20		75
11SB216	16	22	35	
11SB416	16	24	35	
11SB516	16	25	35	
11SB816	16	28	35	75
11SC016	16	30	35	
11SC216	16	32	35	
11SC516	16	35	35	
11SC816	16	38	35	
11SD016	16	40	35	
11SA917	17	19		
11SB017	17	20		80
11SB217	17	22	35	
11SB417	17	24	35	
11SB517	17	25	35	
11SB817	17	28	35	
11SC017	17	30	35	
11SC217	17	32	35	
11SC517	17	35	35	
11SC817	17	38	35	
11SD017	17	40	35	
11SA918	18	19		
11SB018	18	20		80
11SB218	18	22	35	
11SB418	18	24	35	
11SB518	18	25	35	
11SB818	18	28	35	
11SC018	18	30	35	
11SC218	18	32	35	
11SC518	18	35	35	
11SC818	18	38	35	
11SD018	18	40	35	
11SA919	19	19		
11SB019	19	20		80
11SB219	19	22	35	
11SB419	19	24	35	
11SB519	19	25	35	
11SB819	19	28	35	
11SC019	19	30	35	
11SC219	19	32	35	
11SC519	19	35	35	
11SC819	19	38	35	

Kod	Z	D	H	d
11SD019	19	40	35	80
11SD219	19	42	35	80
11SD519	19	45	35	80
11SD819	19	48	35	80
11SE019	19	50	35	80
11SB520	20	25	35	80
11SB820	20	28	35	80
11SC020	20	30	35	80
11SC220	20	32	35	80
11SC520	20	35	35	80
11SC820	20	38	35	80
11SD020	20	40	35	80
11SD220	20	42	35	80
11SD520	20	45	35	80
11SD820	20	48	35	80
11SE020	20	50	35	80
11SB521	21	25	40	90
11SB821	21	28	40	90
11SC021	21	30	40	90
11SC221	21	32	40	90
11SC521	21	35	40	90
11SC821	21	38	40	90
11SD021	21	40	40	90
11SD221	21	42	40	90
11SD521	21	45	40	90
11SD821	21	48	40	90
11SE021	21	50	40	90
11SB522	22	25	40	90
11SB822	22	28	40	90
11SC022	22	30	40	90
11SC222	22	32	40	90
11SC522	22	35	40	90
11SC822	22	38	40	90
11SD022	22	40	40	90
11SD222	22	42	40	90
11SD522	22	45	40	90
11SD822	22	48	40	90
11SE022	22	50	40	90
11SB523	23	25	40	90
11SB823	23	28	40	90
11SC023	23	30	40	90
11SC223	23	32	40	90
11SC523	23	35	40	90
11SC823	23	38	40	90

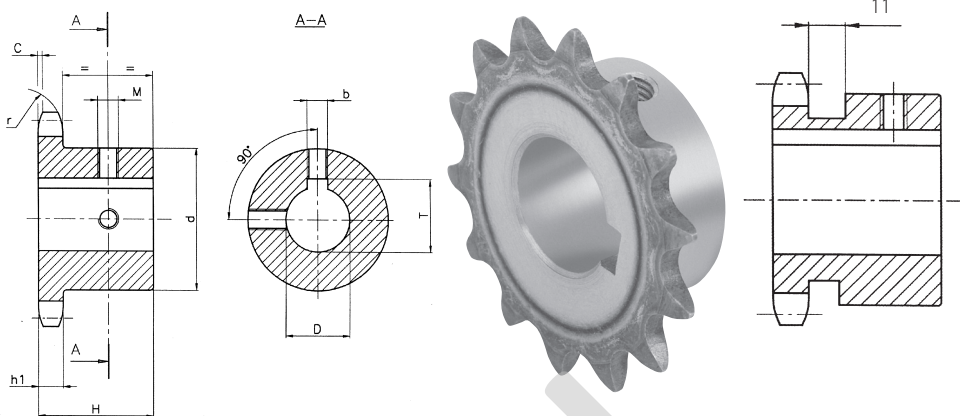
Kod	Z	D	H	d
11SD023	23	40	40	90
11SD223	23	42	40	90
11SD523	23	45	40	90
11SD823	23	48	40	90
11SE023	23	50	40	90
11SB524	24	25	40	90
11SB824	24	28	40	90
11SC024	24	30	40	90
11SC224	24	32	40	90
11SC524	24	35	40	90
11SC824	24	38	40	90
11SD024	24	40	40	90
11SD224	24	42	40	90
11SD524	24	45	40	90
11SD824	24	48	40	90
11SE024	24	50	40	90
11SB525	25	25	40	90
11SB825	25	28	40	90
11SC025	25	30	40	90
11SC225	25	32	40	90
11SC525	25	35	40	90
11SC825	25	38	40	90
11SD025	25	40	40	90
11SD225	25	42	40	90
11SD525	25	45	40	90
11SD825	25	48	40	90
11SE025	25	50	40	90

16B-1 25,4 x 17,02 mm 1" x 17,02

DIN 8187 ISO/R606

RETAZ	ISO mm
ROZOSTUP	25,40
VNUTORNÁ SIRKA	17,02
VALCEK ϕ	15,88

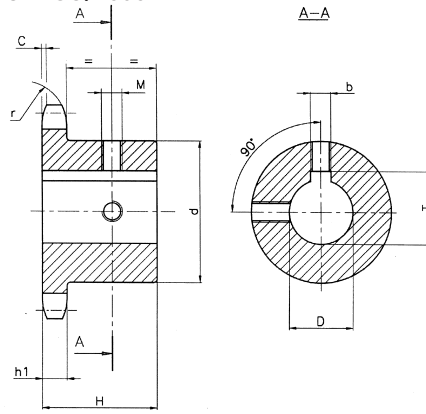
KOLESO	Material C45E
r	26,0
C	2,5
h_1	16,2



Kod	Z	D	H	d	Kod	Z	D	H	d	Kod	Z	D	H	d	Kod	Z	D	H	d
12SB511	11	25	40	61	12SD015	15	40	40	92	12SD019	19	40	45	100	12SD023	23	40	50	110
12SB811		28			12SD215		42			12SD219		42			12SD223		42		
12SC011		30			12SD515		45	40		12SD519		45	45		12SD523		45	50	
12SC211		32			12SD815		48			12SD819		48			12SD823		48		
12SC511		35			12SE015		50			12SE019		50			12SE023		50		
12SC811		38		65	12SB516		25			12SB520		25			12SB524		25		
12SD011		40		67	12SB816		28			12SB820		28			12SB824		28		
12SD211		42		69*	12SC016		30			12SC020		30			12SC024		30		
12SB512	12	25	40	69	12SC216		32			12SC220		32			12SC224		32		
12SB812		28			12SC516		35			12SC520		35			12SC524		35		
12SC012		30			12SC816	16	38	45	100	12SC820	20	38	45	100	12SC824	24	38	50	110
12SC212		32			12SD016		40			12SD020		40			12SD024		40		
12SC512		35			12SD216		42			12SD220		42			12SD224		42		
12SC812		38			12SD516		45			12SD520		45			12SD524		45		
12SD012		40			12SD816		48			12SD820		48			12SD824		48		
12SD212		42			12SE016		50			12SE020		50			12SE024		50		
12SB513	13	25	40	78	12SB517		25			12SB521		25			12SB525		25		
12SB813		28			12SB817		28			12SB821		28			12SB825		28		
12SC013		30			12SC017		30			12SC021		30			12SC025		30		
12SC213		32			12SC217		32			12SC221		32			12SC225		32		
12SC513		35			12SC517		35			12SC521		35			12SC525		35		
12SC813		38			12SC817	17	38	45	100	12SC821	21	38	50	110	12SC825	25	38	50	110
12SD013		40			12SD017		40			12SD021		40			12SD025		40		
12SD213		42			12SD217		42			12SD221		42			12SD225		42		
12SD513		45			12SD517		45			12SD521		45			12SD525		45		
12SD813		48			12SD817		48			12SD821		48			12SD825		48		
12SE013		50		82	12SE017		50			12SE021		50			12SE025		50		
12SB514	14	25	40	84	12SB518		25			12SB522		25			12SB526		25		
12SB814		28			12SB818		28			12SB822		28			12SB826		28		
12SC014		30			12SC018		30			12SC022		30			12SC026		30		
12SC214		32			12SC218		32			12SC222		32			12SC226		32		
12SC514		35			12SC518		35			12SC522		35			12SC526		35		
12SC814		38			12SC818	18	38	45	100	12SC822	22	38	50	110	12SC826	26	38	50	110
12SD014		40			12SD018		40			12SD022		40			12SD026		40		
12SD214		42			12SD218		42			12SD222		42			12SD226		42		
12SD514		45			12SD518		45			12SD522		45			12SD526		45		
12SD814		48			12SD818		48			12SD822		48			12SD826		48		
12SE014		50			12SE018		50			12SE022		50			12SE026		50		
12SB515	15	25	40	92	12SB519		25			12SB523		25			12SB527		25		
12SB815		28			12SB819		28			12SB823		28			12SB827		28		
12SC015		30			12SC019		30			12SC023		30			12SC027		30		
12SC215		32			12SC219		32			12SC223		32			12SC227		32		
12SC515		35			12SC519		35			12SC523		35			12SC527		35		
12SC815		38			12SC819		38			12SC823		38			12SC827		38		

20B-1 31,75 x 19,56 mm 1" 1/4 x 3/4"

DIN 8187 ISO/R606



RETAZ	ISO mm
ROZOSTUP	31,75
VNUTORNÁ SIRKA	19,56
VALCEK ϕ	19,05

KOLESO	Material C45E
r	32,0
C	3,5
h_1	18,5

Kod	Z	D	H	d	Kod	Z	D	H	d	Kod	Z	D	H	d
13SB509		25			13SC213		32			13SC817		38		
13SC009		30			13SC513		35			13SD017		40		
13SC209	09	32	40	63	13SC813		38			13SD217		42		
13SC509		35			13SD013		40			13SD517		45		
13SC809		38			13SD213	13	42	45	98	13SD817	17	48	50	120
13SB510		25			13SD513		45			13SE017		50		
13SC010		30			13SD813		48			13SF017		60		
13SC210	10	32	40	70	13SE013		50			13SF517		65		
13SC510		35			13SF013		60			13SG017		70		
13SC810		38			13SC214		32			13SC818		38		
13SB511		25			13SC514		35			13SD018		40		
13SB811		28			13SC814		38			13SD218		42		
13SC011		30			13SD014		40			13SD518		45		
13SC211		32			13SD214	14	42	45	108	13SD818	18	48	50	120
13SC511		35		77	13SD514		45			13SE018		50		
13SC811	11	38	45		13SC814		48			13SF018		60		
13SD011		40			13SE014		50			13SF518		65		
13SD211		42			13SF014		60			13SG018		70		
13SD511		45			13SC215		32			13SC819		38		
13SE011		50		82	13SC515		35			13SD019		40		
13SF011		60		93	13SC815		38			13SD219		42		
13SB512		25			13SD015		40			13SD519		45		
13SB812		28			13SD215	15	42	45	118	13SD819	19	48	50	120
13SC012		30			13SD515		45			13SE019		50		
13SC212		32			13SD815		48			13SF019		60		
13SC512		35			13SE015		50			13SF519		65		
13SC812	12	38	45	88	13SF015		60			13SG019		70		
13SD012		40			13SC816		38			13SC820		38		
13SD212		42			13SD016		40			13SD020		40		
13SD512		45			13SD216		42			13SD220		42		
13SD812		48			13SD516		45			13SD520		45		
13SE012		50			13SD816	16	48	50	120	13SD820	20	48	50	120
13SF012		60		93	13SE016		50			13SE020		50		
13SB513		25			13SF016		60			13SF020		60		
13SB813	13	28	45	98	13SF516		65			13SF520		65		
13SC013		30			13SG016		70			13SG020		70		