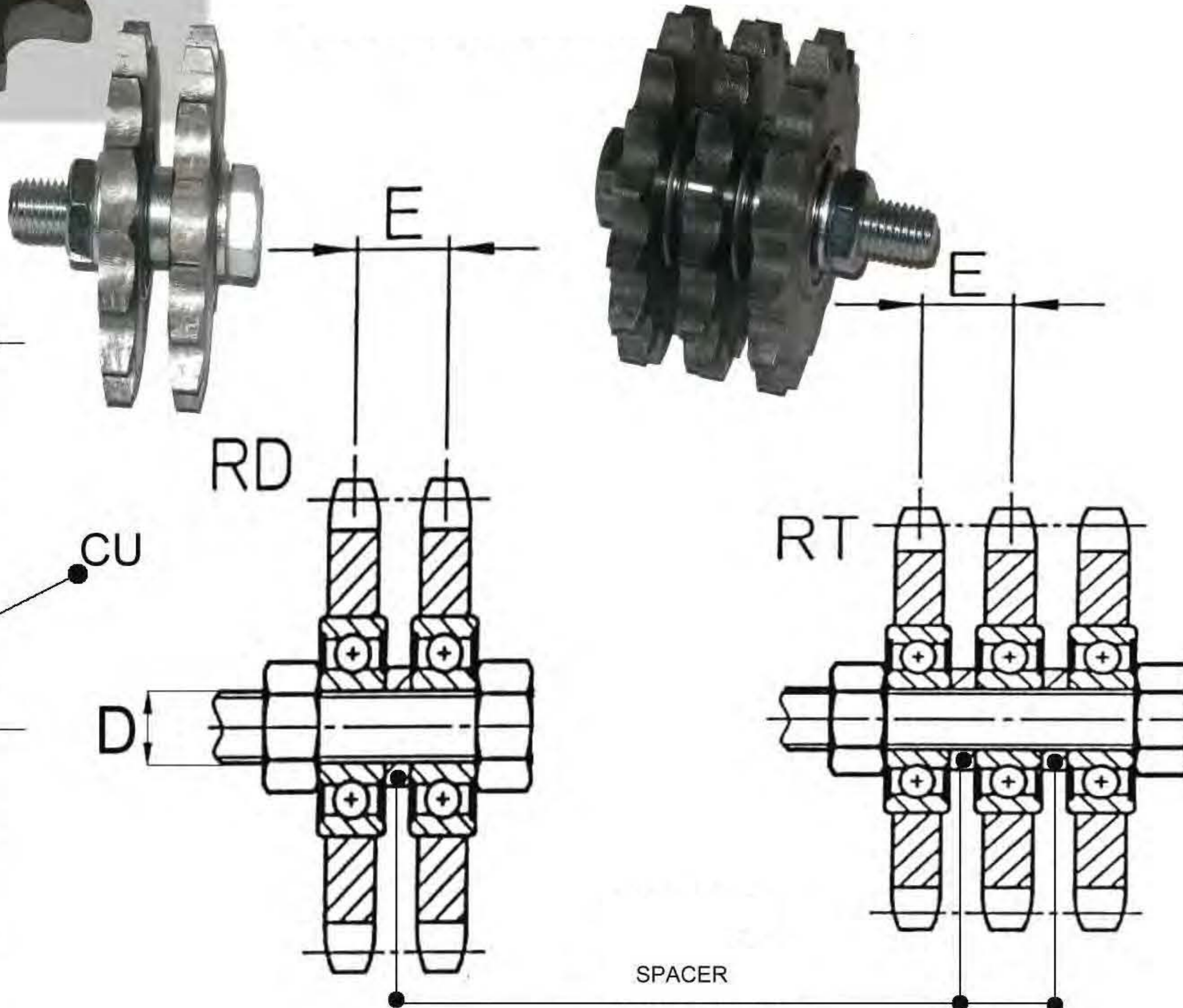


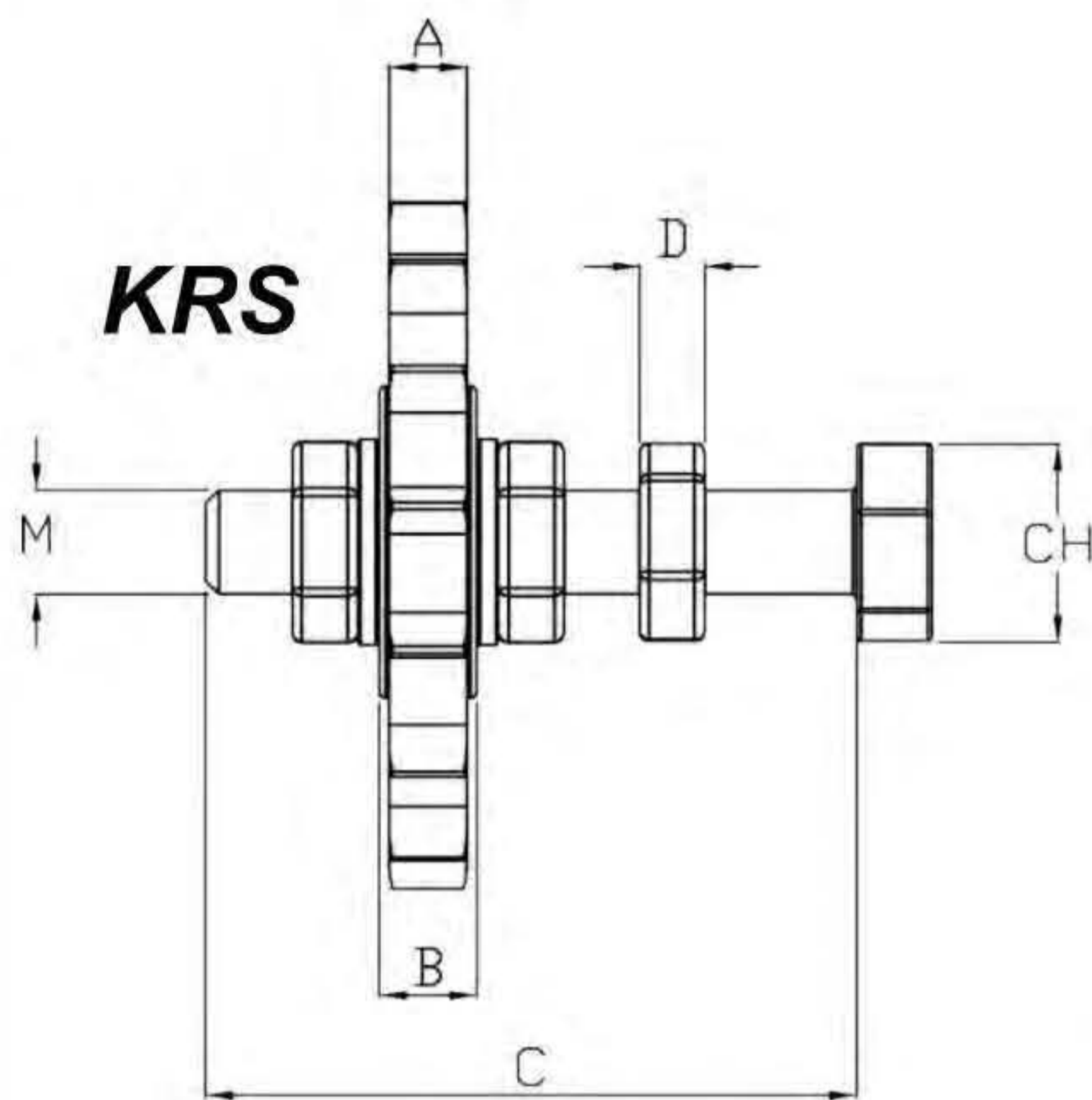
RS - RD - RT

SPROCKET

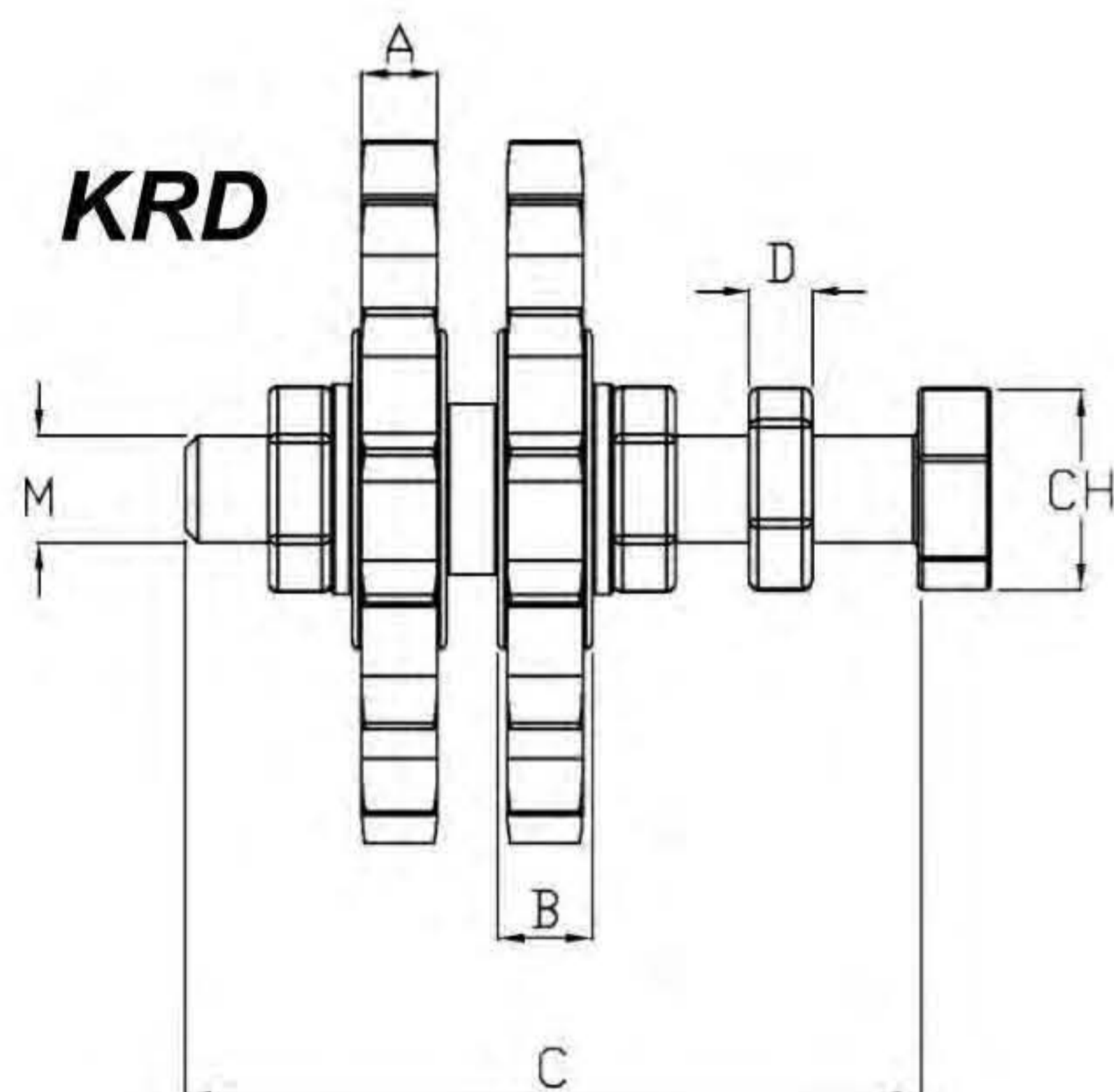


COD	CHAIN PITCH	TEETH	de	dp	ØA	B	C	D	E	CU	Kg	SCREWING UP COUPLE	
RS38	3/8" X 7/32"	06B1	15	49,3	45,81	10	5,2	9	10	X	6200 2RS	0,06	38 Nm
RS12	1 1/2" X 5/16"	08B1	15	65,5	61,09	10	7	9	10	X	6200 2RS	0,135	38 Nm
RS58	5/8" X 3/8"	10B1	15	83	76,36	12	9	12	12	X	6301 2RS	0,27	45 Nm
RS34	3/4" X 7/16"	12B1	15	99,8	91,63	12	10,8	12	12	X	6301 2RS	0,47	45 Nm
RS1	1" X 17m/m	16B1	13	117	106,12	20	15,8	15	12	X	6304 2RS	0,865	45 Nm
RD38	3/8" X 7/32"	06B2	15	49,3	45,81	10	5,2	9	10	10,2	6200 2RS	0,165	38 Nm
RD12	1 1/2" X 5/16"	08B2	15	65,5	61,09	10	7	9	10	14	6200 2RS	0,315	38 Nm
RD58	5/8" X 3/8"	10B2	15	83	76,36	12	9	12	12	16,5	6301 2RS	0,62	45 Nm
RD34	3/4" X 7/16"	12B2	15	99,8	91,63	12	10,8	12	12	19,4	6301 2RS	1,035	45 Nm
RD1	1" X 17m/m	16B2	12	109	98,14	20	15,8	17,5	12	31,9	204 K RR2	1,625	45 Nm
RD114	1 1/4" X 3/4"	20B2	9	108	92,84	20	18,2	17,5	12	36,4	204 K RR2	1,575	45 Nm
RD112	1 1/2" X 1"	24B2	9	126,4	111,4	20	23,6	17,5	12	48,4	204 K RR2	2,706	45 Nm
RD134	1 3/4" X 1 1/4"	28B2	9	148,4	129,96	20	28,8	17,5	12	59,6	204 K RR2	4,746	45 Nm
RT38	3/8" X 7/32"	06B3	15	49,3	45,81	10	5,2	9	10	10,2	6200 2RS	0,231	38 Nm
RT12	1 1/2" X 5/16"	08B3	15	65,5	61,09	10	7	9	10	14	6200 2RS	0,461	38 Nm
RT58	5/8" X 3/8"	10B3	15	83	76,36	12	9	12	12	16,5	6301 2RS	0,907	45 Nm
RT34	3/4" X 7/16"	12B3	15	99,8	91,63	12	10,8	12	12	19,4	6301 2RS	1,531	45 Nm
RT1	1" X 17m/m	16B3	12	109	98,14	20	15,8	17,5	12	31,9	204 K RR2	2,427	45 Nm

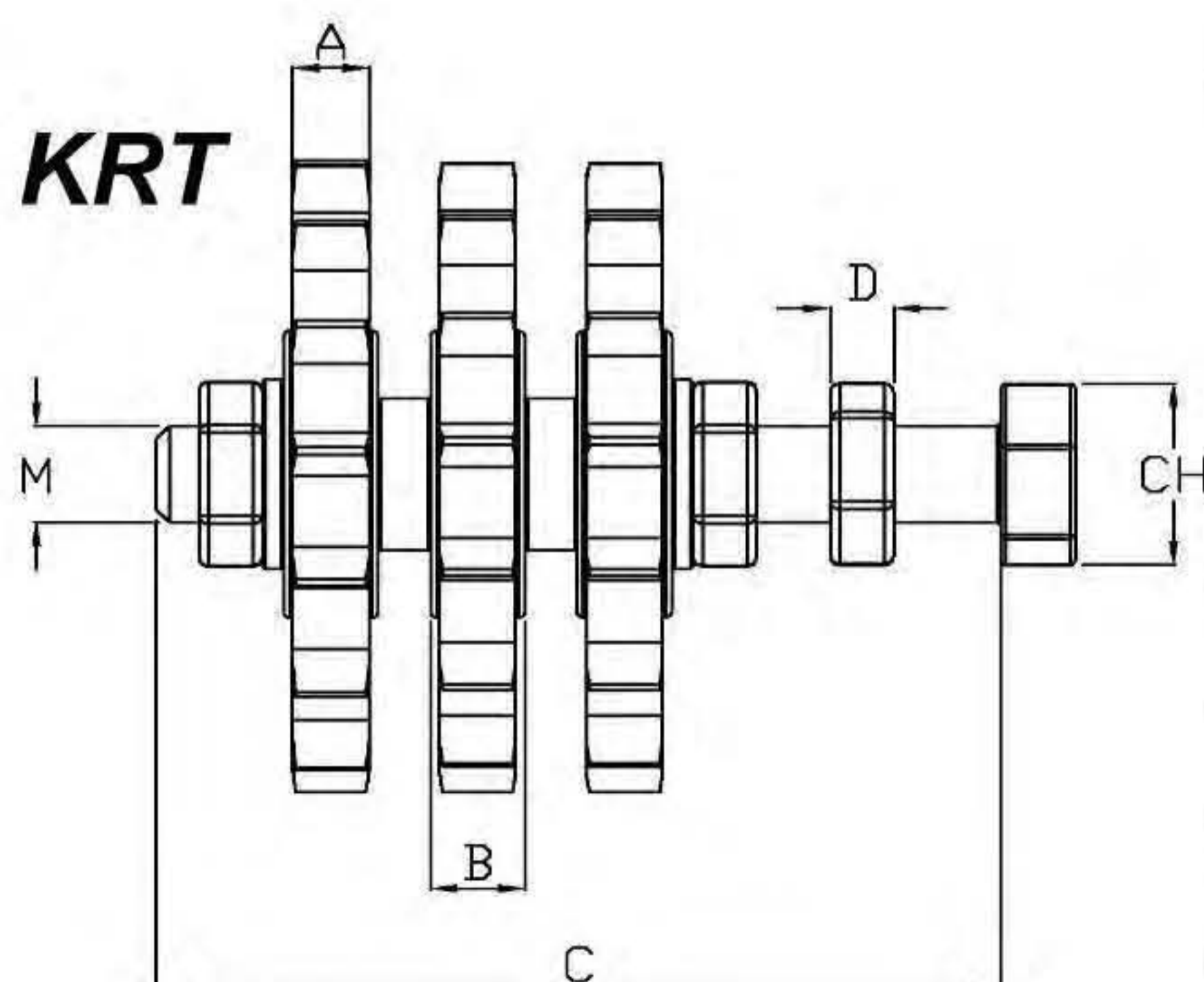
KIT RS RD RT



COD			A	B	C	D	M	CH	Kg	
	CHAIN PITCH	TEETH								
KRS38M10X55	3/8" X 7/32"	06B1	15	5,2	9	55	10	M10X1,5	17	0,13
KRS12M10X60	1/2" X 5/16"	08B1	15	7	9	60	10	M10x1,5	17	0,19
KRS58M12X70	5/8" X 3/8"	10B1	15	9	12	70	12	M12x1,75	19	0,36
KRS34M12X80	3/4" X 7/16"	12B1	15	10,8	12	80	12	M12x1,75	19	0,57



COD			A	B	C	D	M	CH	Kg	
	CHAIN PITCH	TEETH								
KRD38M10X55	3/8" X 7/32"	06B2	15	5,2	9	55	10	M10x1,5	17	0,19
KRD12M10X70	1/2" X 5/16"	08B2	15	7	9	70	10	M10x1,5	17	0,33
KRD58M12X80	5/8" X 3/8"	10B2	15	9	12	80	12	M12x1,75	19	0,65
KRD34M12X90	3/4" X 7/16"	12B2	15	10,8	12	90	12	M12x1,75	19	1,08

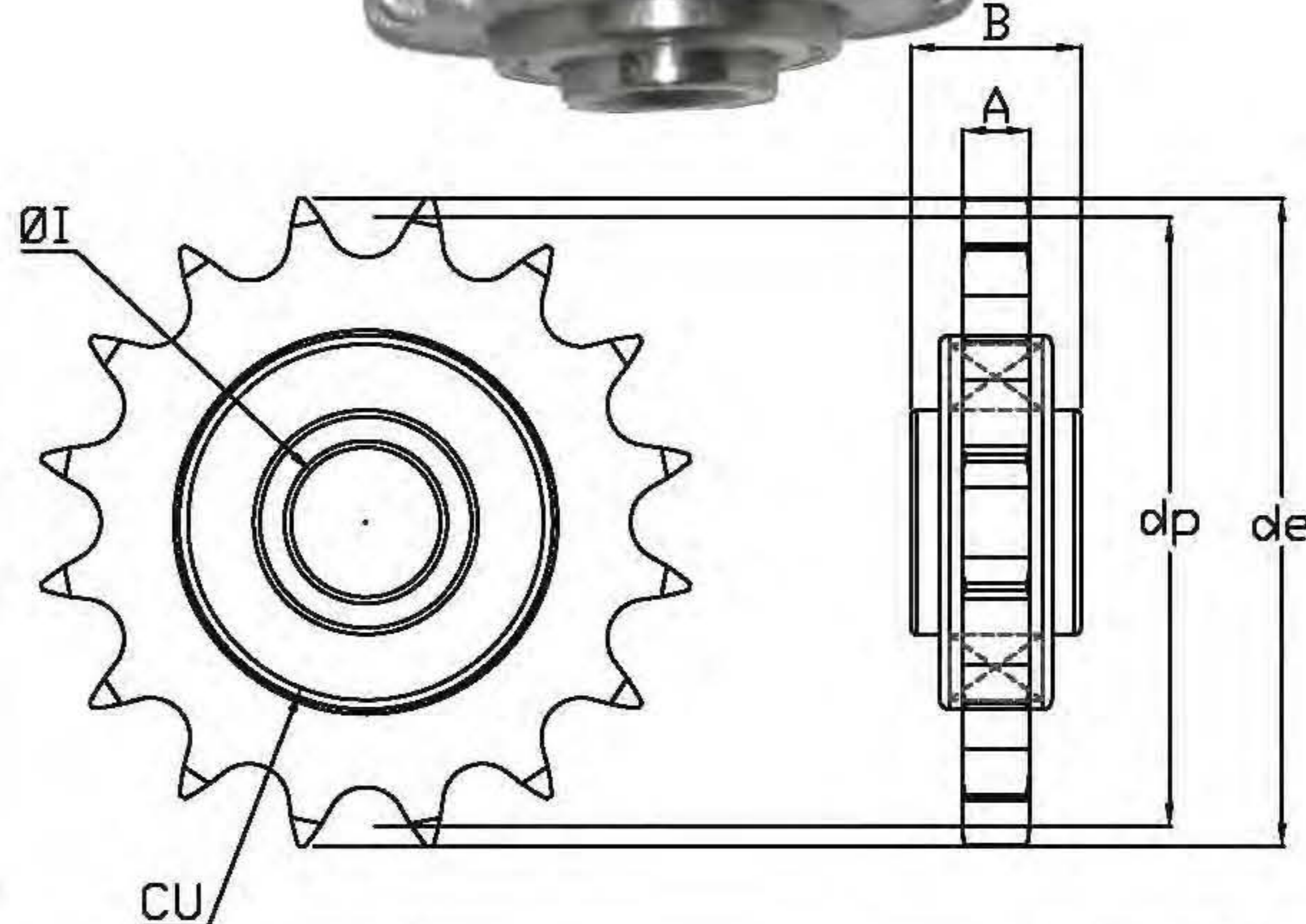


COD			A	B	C	D	M	CH	Kg	
	CHAIN PITCH	TEETH								
KRT38M10X70	3/8" X 7/32"	06B3	15	5,2	9	70	10	M10x1,5	17	0,26
KRT12M10X80	1/2" X 5/16"	08B3	15	7	9	80	10	M10x1,5	17	0,49
KRT58M12X90	5/8" X 3/8"	10B3	15	9	12	90	12	M12x1,75	19	0,93
KRT34M12X90	3/4" X 7/16"	12B3	15	10,8	12	90	12	M12x1,75	19	1,56



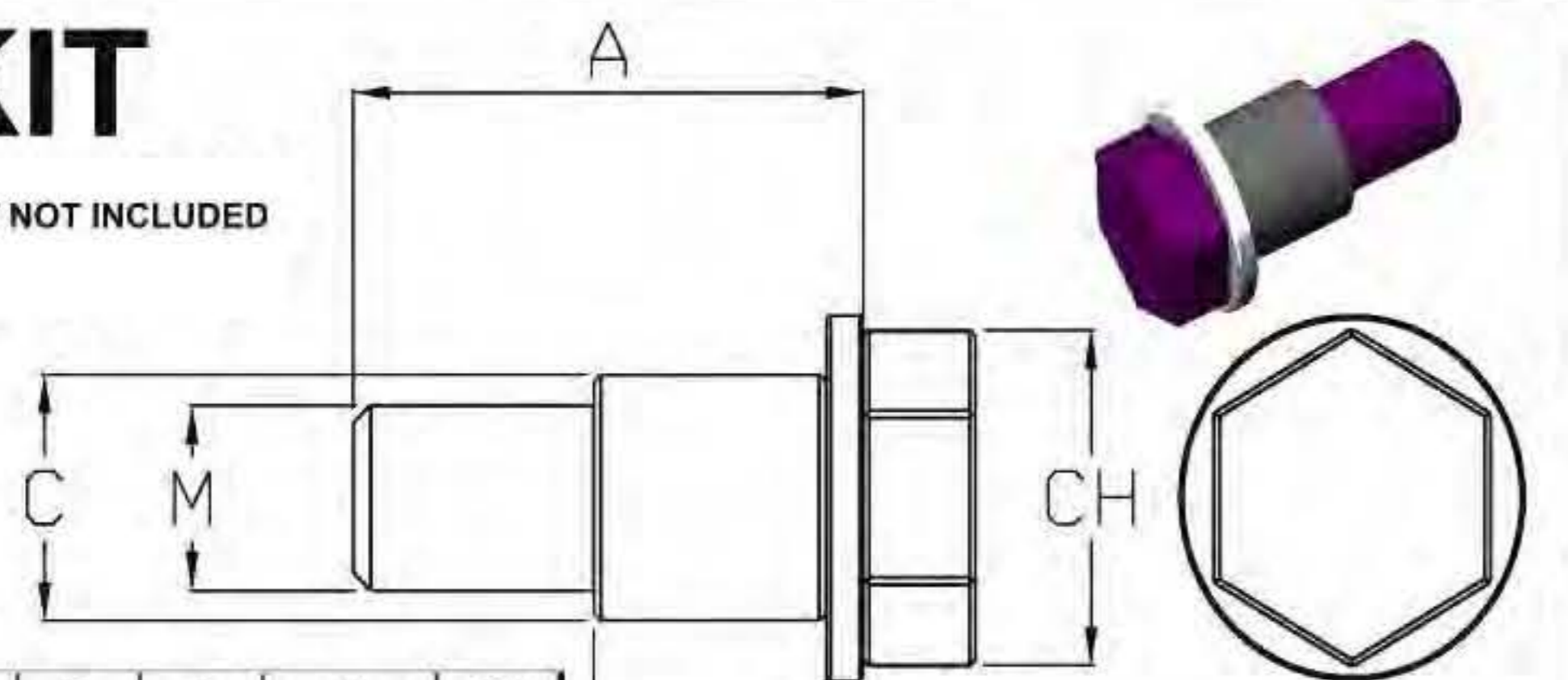
AC

SPROCKET



KIT

EQUIPMENT NOT INCLUDED

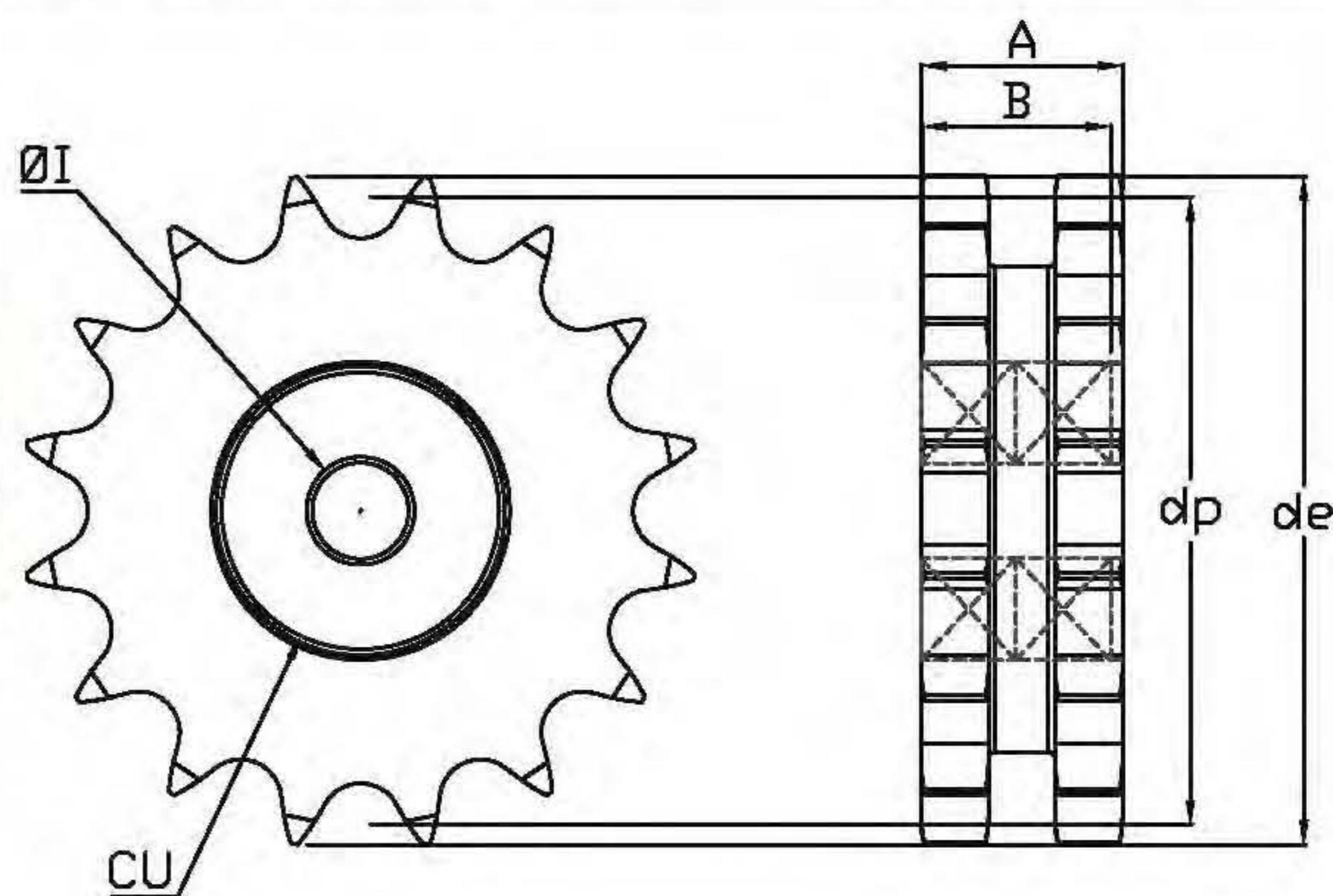


COD	A	B	C	M	CH
KIT1	35	16	16	12x1,75	19
KIT2	40	17,5	19,5	12x1,75	19

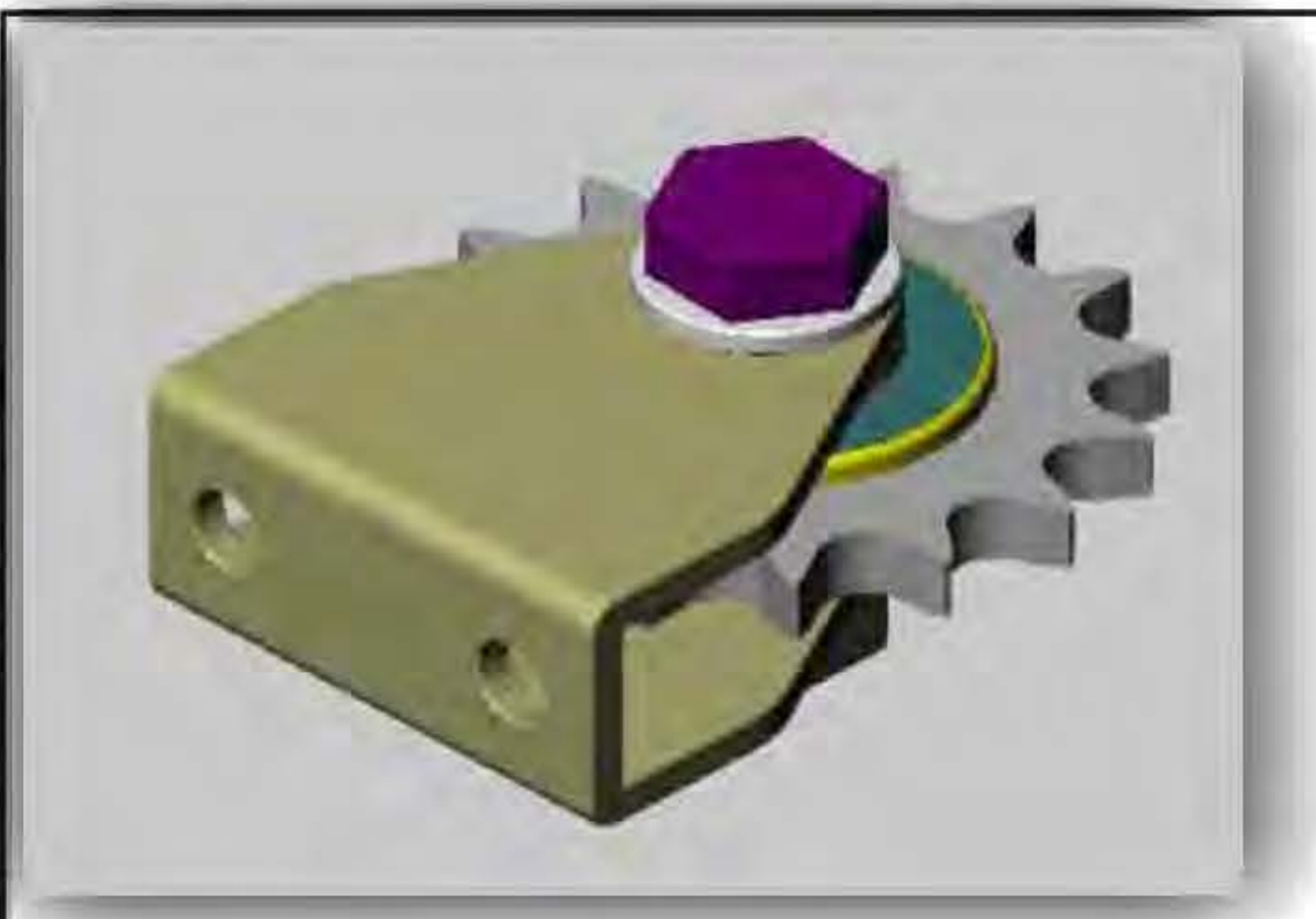
COD	CHAIN PITCH		TEETH	de	dp	A	B	ØI	CU	Kg	SCREWMING UP COUPLE
AC38S	3/8" x 7/32"	06B1	21	68	63,9	5,3	18,3	16	203 K RR 2	0,145	45 Nm
AC12S	1/2" x 5/16"	08B1	16	69,5	65,1	7,2	18,3	16	203 K RR 2	0,17	45 Nm
AC58S	5/8" x 3/8"	10B1	17	93	86,39	9,1	18,3	16	203 K RR 2	0,365	45 Nm
AC34S	3/4" x 7/16"	12B1	15	99,8	91,63	11,1	18,3	16	203 K RR 2	0,475	45 Nm
AC1S	1" x 17 m\m	16B1	12	109	98,14	16,2	17,7	20	204 K RR 2	0,73	45 Nm
AC114S	1"1/4 x 3/4"	20B1	9	108	92,84	18,5	17,7	20	204 K RR 2	0,7	45 Nm
AC112S	1"1/2 x 1"	24B1	9	126,4	111,4	24,1	17,7	20	204 K RR 2	1,24	45 Nm
AC134S	1"3/4 x 1"1/4	28B1	9	148,4	129,96	29,4	17,7	20	204 K RR 2	2,25	45 Nm

+TE: HARDENED TEETH

AC38STE	3/8" x 7/32"	06B1	21	68	63,9	5,3	18,3	16	203 K RR 2	0,145	45 Nm
AC12STE	1/2" x 5/16"	08B1	16	69,5	65,1	7,2	18,3	16	203 K RR 2	0,17	45 Nm
AC58STE	5/8" x 3/8"	10B1	17	93	86,39	9,1	18,3	16	203 K RR 2	0,365	45 Nm
AC34STE	3/4" x 7/16"	12B1	15	99,8	91,63	11,1	18,3	16	203 K RR 2	0,475	45 Nm
AC1STE	1" x 17 m\m	16B1	12	109	98,14	16,2	17,7	20	204 K RR 2	0,73	45 Nm

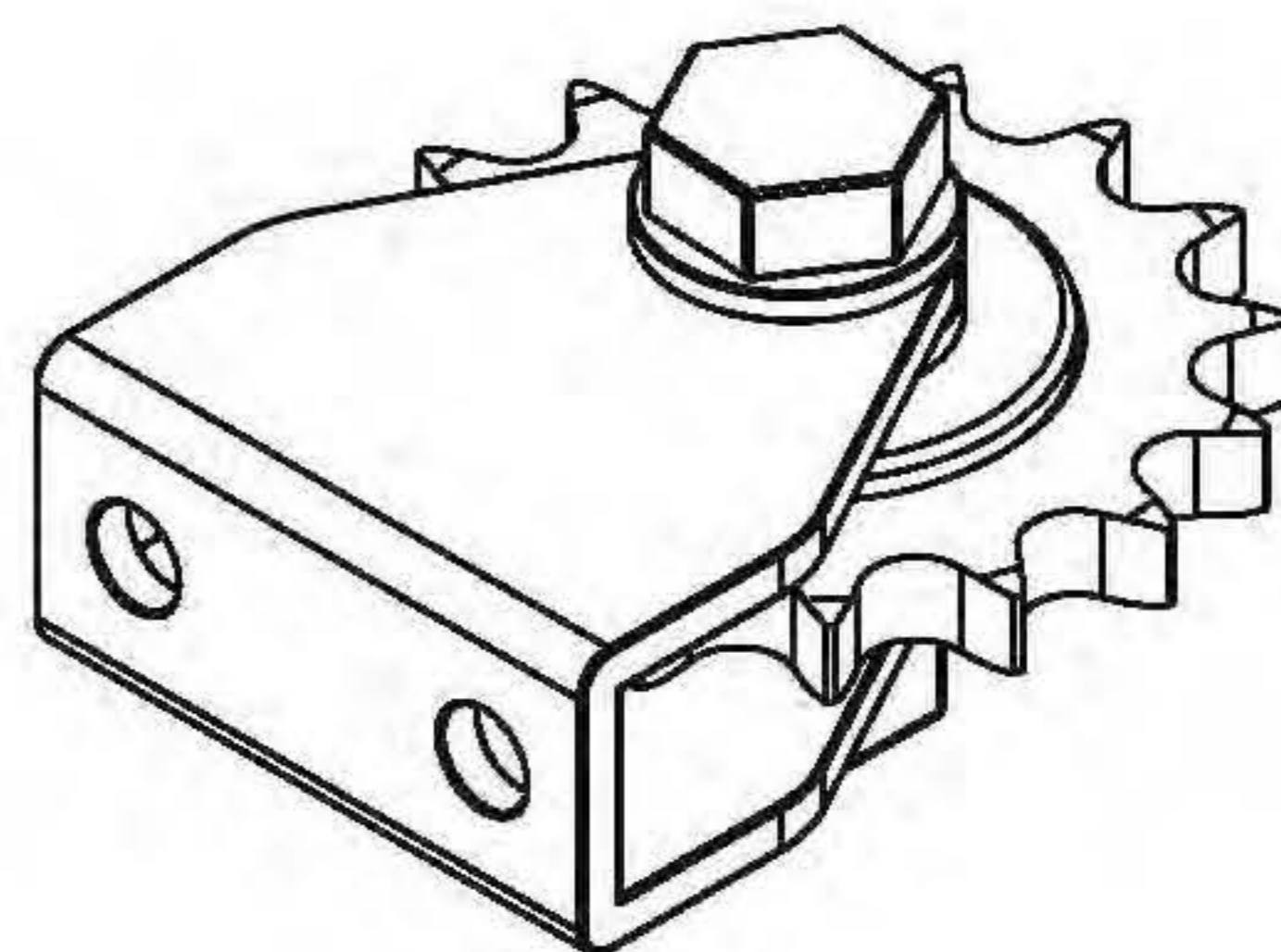
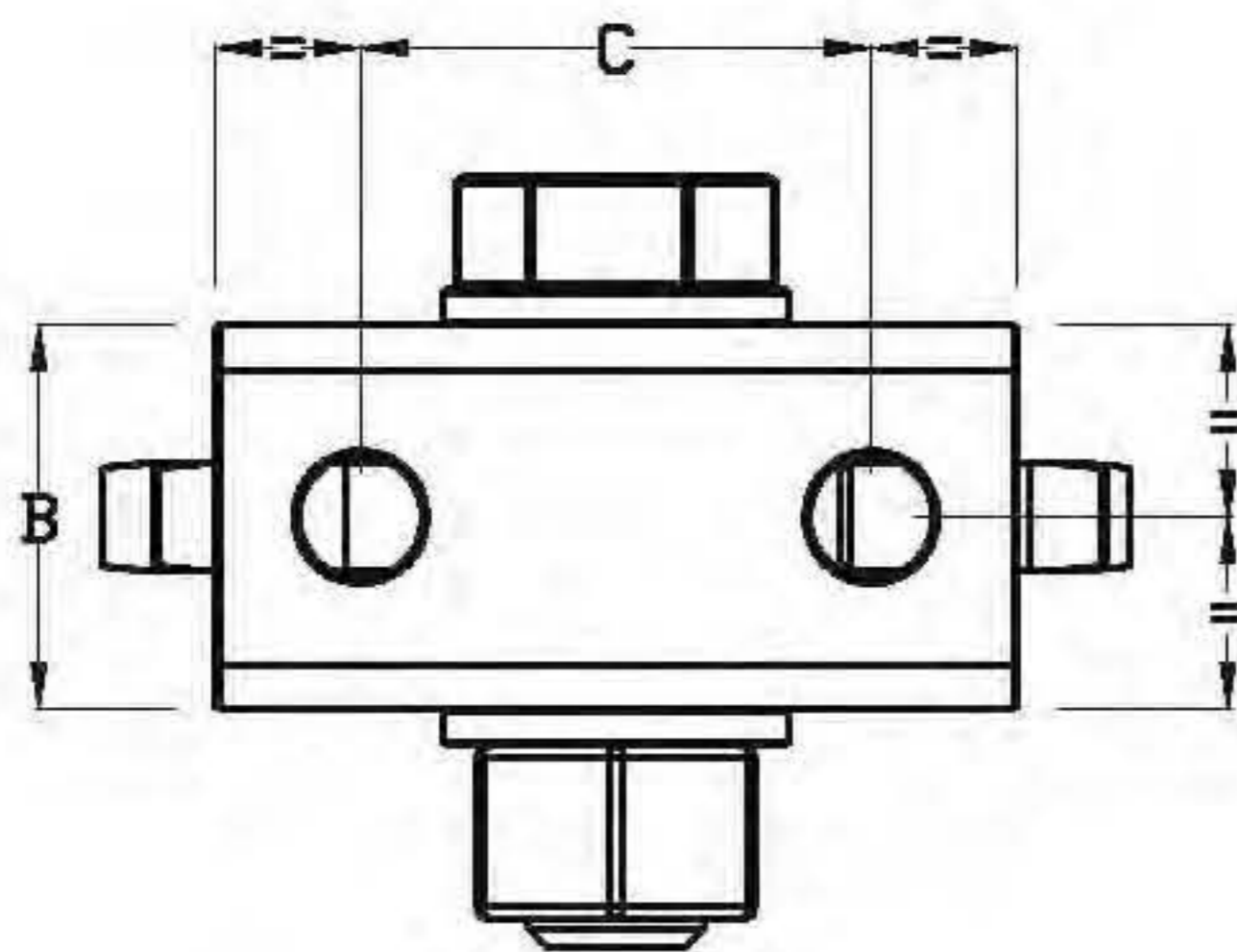
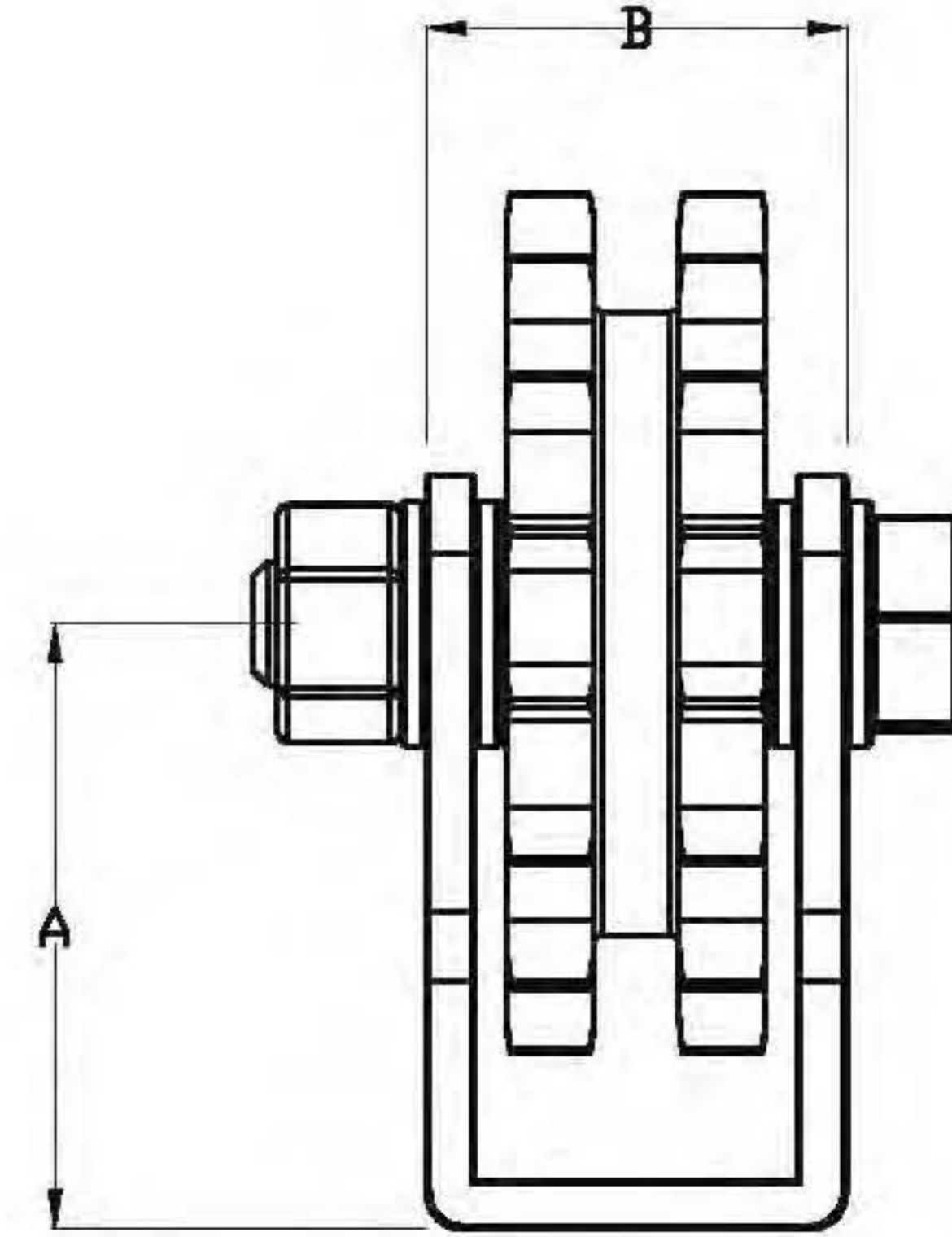
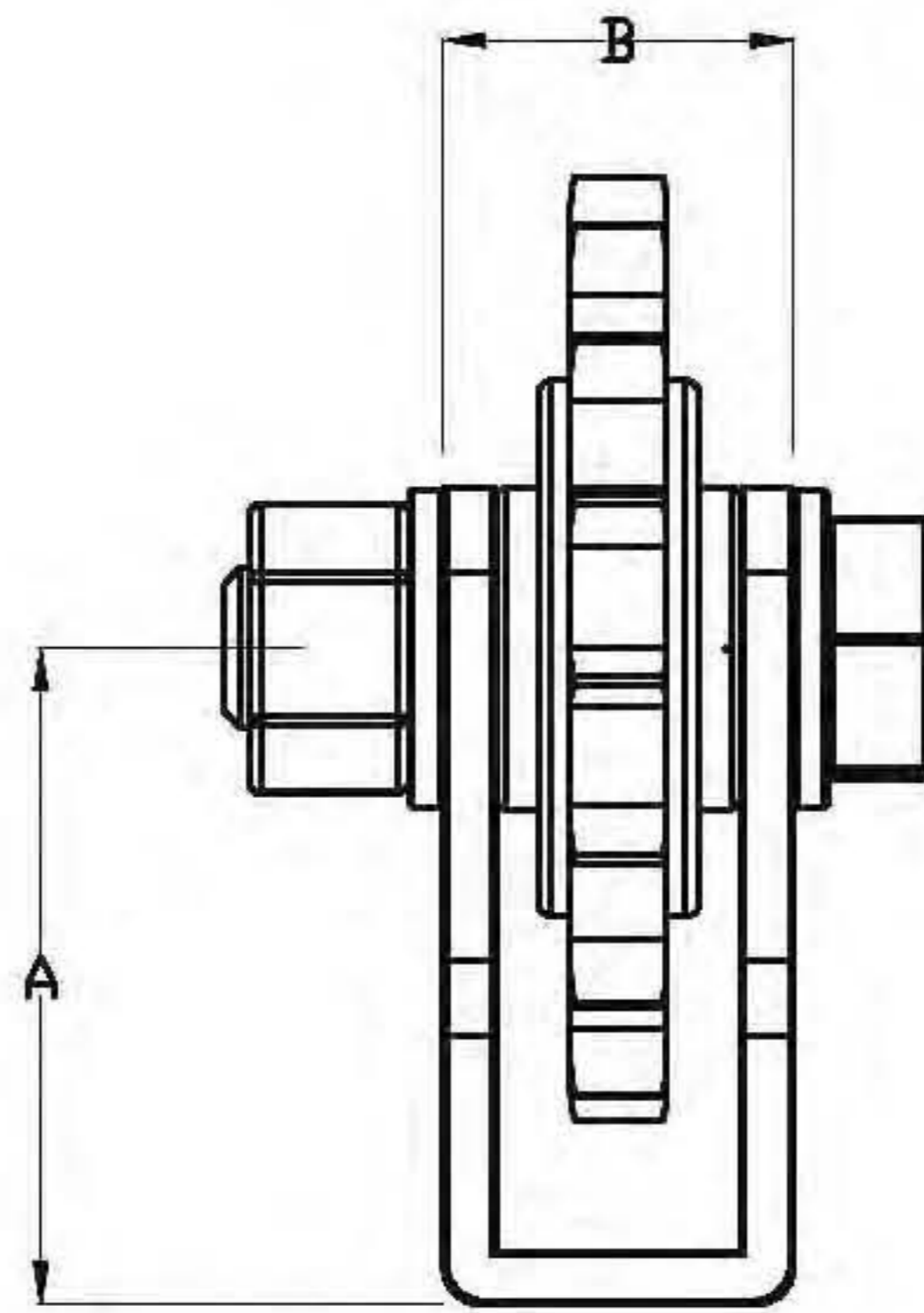
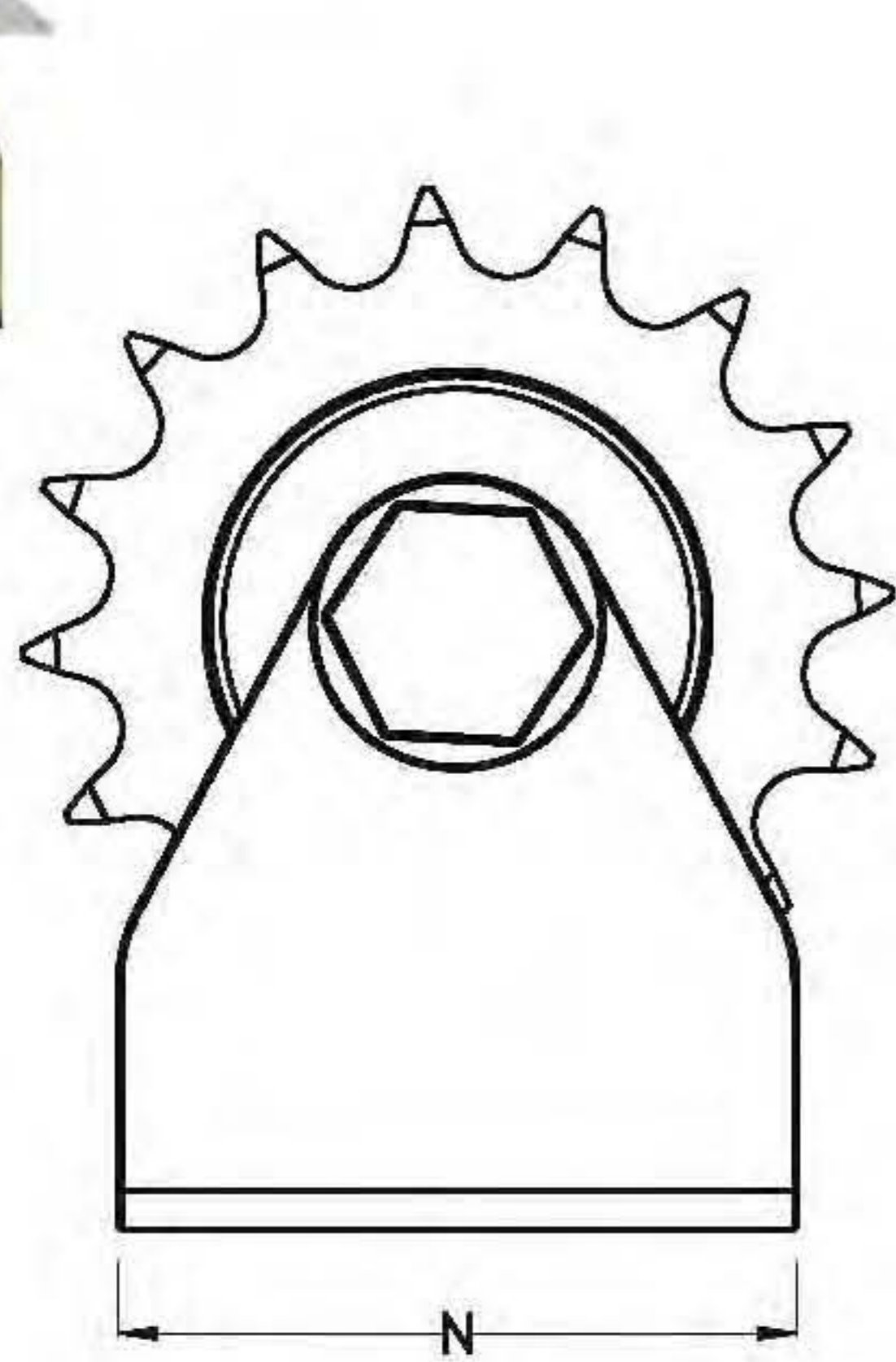
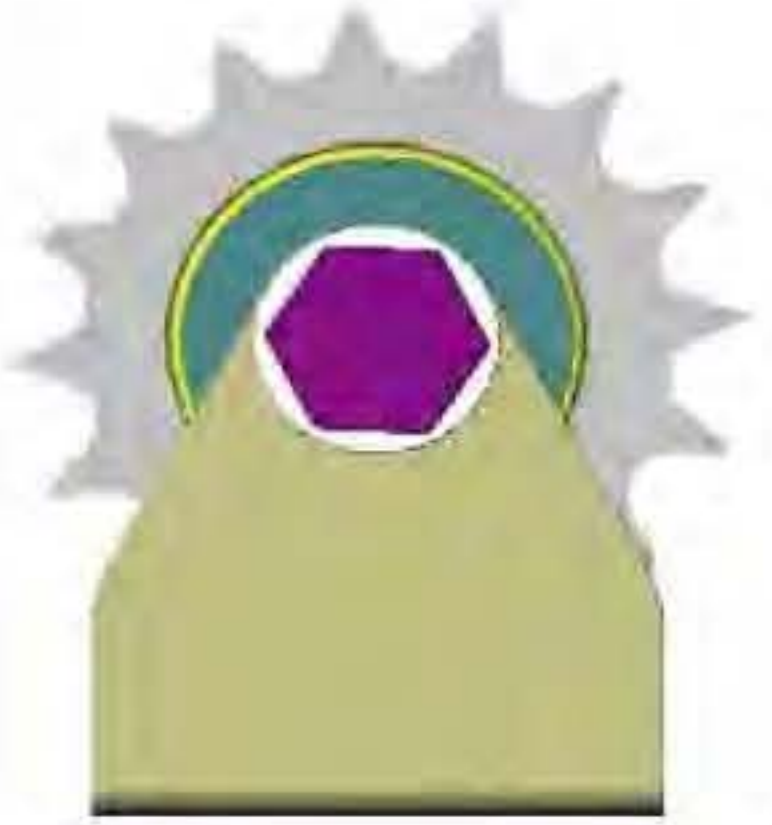


COD	CHAIN PITCH		TEETH	de	dp	A	B	ØI	CU	Kg	SCREWMING UP COUPLE
AC38D	3/8" x 7/32"	06B2	21	68	63,9	15,4	18	10	N°2 6200-2RS	0,32	38 Nm
AC12D	1/2" x 5/16"	08B2	16	69,5	65,1	21	18	10	N°2 6200-2RS	0,38	38 Nm
AC58D	5/8" x 3/8"	10B2	17	93	86,39	25,5	20	12	N°2 6201-2RS	0,87	45 Nm
AC34D	3/4" x 7/16"	12B2	15	99,8	91,63	30,3	24	12	N°2 6301-2RS	1,11	45 Nm



HR 1 - 2 - 3

WITH SPROCKET



COD	CHAIN PITCH		TEETH	A	B	C	N	Kg
HR138S	3/8" x 7/32"	06B1	21	49	26,2	35	55	0,404
HR138D	3/8" x 7/32"	06B2	21	49	34	35	55	0,549
HR112S	1/2" x 5/16"	08B1	16	49	26,2	35	55	0,43
HR112D	1/2" x 5/16"	08B2	16	49	34	35	55	0,623
HR258S	5/8" x 3/8"	10B1	17	68	26,2	46	70	0,738
HR258D	5/8" x 3/8"	10B2	17	68	44	46	70	1,37
HR234S	3/4" x 7/16"	12B1	15	68	26,2	46	70	0,844
HR234D	3/4" x 7/16"	12B2	15	68	44	46	70	1,624
HR31S	1" x 17 m\m	16B1	12	75	32,6	53	80	1,367
HR3114S	1"1/4 x 3/4"	20B1	9	75	32,6	53	80	1,336
+ TE : HARDENED TEETH								
HR138STE	3/8" x 7/32"	06B1	21	49	26,2	35	55	0,404
HR112STE	1/2" x 5/16"	08B1	16	49	26,2	35	55	0,43
HR258STE	5/8" x 3/8"	10B1	17	68	26,2	46	70	0,738
HR234STE	3/4" x 7/16"	12B1	15	68	26,2	46	70	0,844
HR31STE	1" x 17 m\m	16B1	12	75	32,6	53	80	1,367