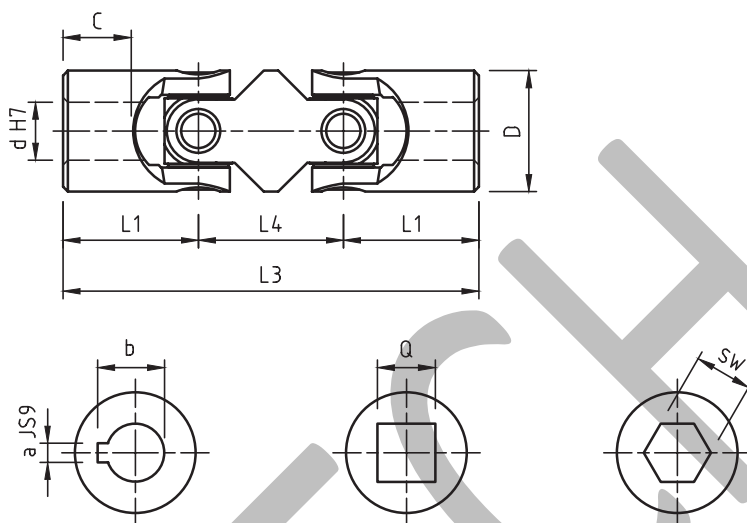


DVOJITÉ KLBY S IHlickOVÝMI LOŽISKAMI séria H

Doživotne namastené ložiská. Bezúdržbové.
 Presné a univerzálne, tichý a hladký chod.
 Max. uhol 90°, max. otáčky 4000/min
 Norma DIN 808/7551



Typ	Kód		d	D	L3	L1	L4	C	Kód		a	b	Kód		Q	SW*	Kg
03HD	SH0D 1000		10	22	74	24	26	12	SH0D 101C	SH0D 102C	3	11,4	SH0D 102Q	10	10	0,15	
04HD	SH0D 1200		12	25	86	28	30	13	SH0D 121C	SH0D 122C	4	13,8	SH0D 122Q	12	12	0,25	
05HD	SH0D 1400		14	28	96	30	36	14	SH0D 141C	SH0D 142C	5	16,3	SH0D 142Q	14	14	0,40	
1HD	SH0D 1600		16	32	105	34	37	16	SH0D 161C	SH0D 162C	5	18,3	SH0D 162Q	16	16	0,45	
2HD	SH0D 1800		18	36	114	37	40	17	SH0D 181C	SH0D 182C	6	20,8	SH0D 182Q	18	18	0,70	
3HD	SH0D 2000		20	42	129	41	47	18	SH0D 201C	SH0D 202C	6	22,8	SH0D 202Q	20	20	1,00	
4HD	SH0D 2200		22	45	145	47,5	50	22	SH0D 221C	SH0D 222C	6	24,8	SH0D 222Q	22	22	1,55	
5HD	SH0D 2500		25	50	163	54	55	26	SH0D 251C	SH0D 252C	8	28,3	SH0D 252Q	25	25	2,00	
6HD	SH0D 3000		30	58	190	61	68	29	SH0D 301C	SH0D 302C	8	33,3	SH0D 302Q	30	30	2,90	
6HD1	SH0D 3200		32	58	198	65	68	33	SH0D 321C	SH0D 322C	10	35,3	SH0D 322Q	30	30	3,00	
7HD	SH0D 3500		35	70	212	70	72	33	SH0D 351C	SH0D 352C	10	38,3	—	**	**	4,75	
8HD	SH0D 4000		40	80	245	80	85	38	SH0D 401C	SH0D 402C	12	43,3	—	**	**	7,20	
9HD	SH0D 5000		50	95	290	95	100	46	SH0D 501C	SH0D 502C	14	53,8	—	**	**	12,00	
04HBD	SHBD 1200		12	22	88	31	26	18	SHBD 121C	SHBD 122C	4	13,8	SHBD 102Q	10	10	0,20	
1HBD	SHBD 1600		16	25	104	37	30	21	SHBD 161C	SHBD 162C	5	18,3	SHBD 122Q	12	12	0,30	
3HBD	SHBD 2000		20	32	123	43	37	24	SHBD 201C	SHBD 202C	6	22,8	SHBD 162Q	16	16	0,50	
5HBD	SHBD 2500		25	42	155	54	47	31	SHBD 251C	SHBD 252C	8	28,3	SHBD 202Q	20	20	1,20	
6HBD	SHBD 3000		30	50	187	66	55	38	SHBD 301C	SHBD 302C	8	33,3	SHBD 252Q	25	25	1,70	
8HBD	SHBD 4000		40	70	238	83	72	46	SHBD 401C	SHBD 402C	12	43,3	—	**	**	4,30	