

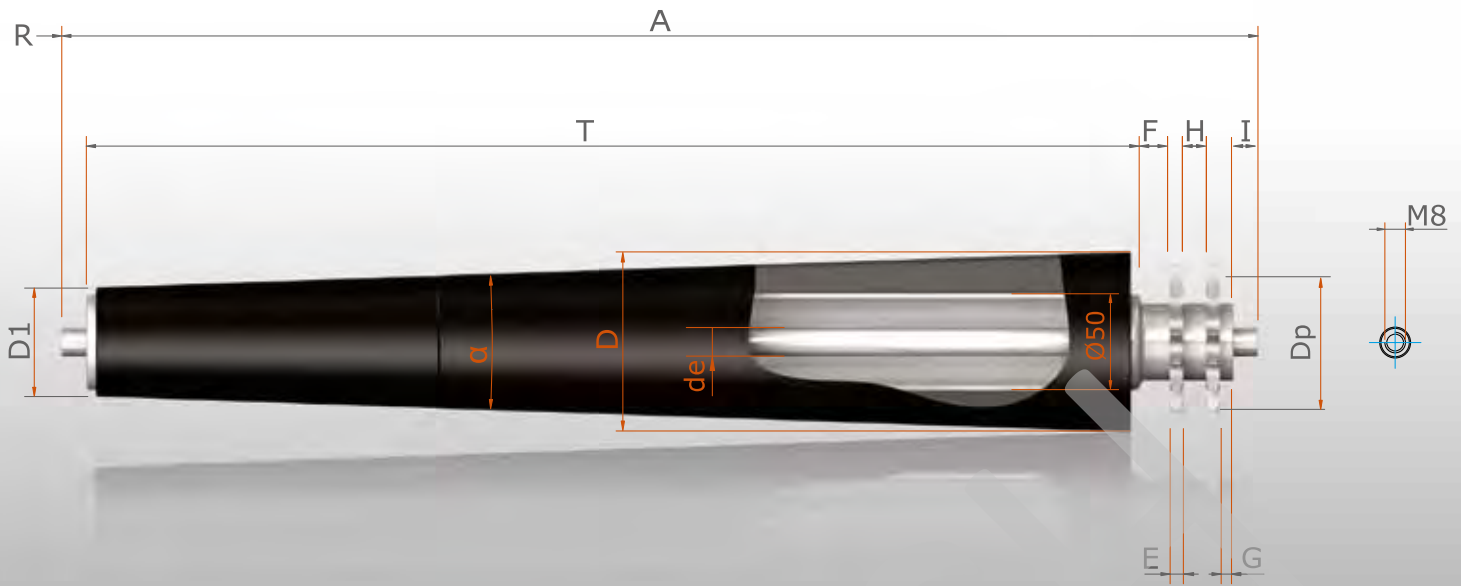
MCPA PINION TAPER ROLLERS

CODE	D	D1	de	A	I	P"	Z	Dp	T	R	$\alpha$	WEIGHT
MCPA140	47,70	32	12	400	13	3/8	16	48,82	A-65	750	2,48	1,382
MCPA150	52,00			500								1,641
MCPA160	56,30			600								1,916
MCPA170	60,70			700								2,206
MCPA180	65,00			800								2,511
MCPA240	43,60	30	15	400	1/2	14	57,07	A-73	1000	1,86	1,335	
MCPA250	46,90			500							1,572	
MCPA260	50,10			600							1,818	
MCPA270	53,40			700							2,078	
MCPA280	56,70			800							2,346	
MCPA290	60,00	900	2,628									
MCPA21000	63,20			1000								2,940

P"	F	E	H	G
3/8	12	5	12	5
1/2	14	7	14	5

### PRODUCT DESCRIPTION

Roller built on the M base series.  
 Motorized by a pinion with two ring gears welded on the side of the taper with the higher diameter.  
 The movement is provided by chain rings.  
 They are used in motorized curves with medium loads that are voluminous in size.



MCSPA PINION TAPER ROLLERS

CODE	D	D1	R	d	l	$\alpha$	T	A	P"	Z	Dp	WEIGHT
MCSPA312	73	56,6	800	15	13	3,72	247	312	1/2"	14	57,07	1,878
MCSPA362		53,4					294	362				2,070
MCSPA412	80	56,6					347	412				2,326
MCSPA462		53,4					394	462				2,518
MCSPA512	86,5	56,6					447	512				2,784
MCSPA562		53,4					494	562				2,986
MCSPA612	93,5	56,6					547	612				3,262
MCSPA662		53,4					594	662				3,464
MCSPA712	100	56,6					647	712				3,750
MCSPA762		53,4					694	762				3,952
MCSPA812	106,5	56,6					747	812				4,258
MCSPA862		53,4					794	862				4,450
MCSPA912	113	56,6	847	912	4,766							
MCSPA962		53,4	894	962	4,968							

P"	F	E	H	G
1/2"	14	7	14	5

**PRODUCT DESCRIPTION**

Roller built on the M base series with tapering obtained using polypropylene sectors.  
 Motorized by a pinion with two ring gears, welded on the tube.  
 The movement is provided by chain rings.

## ROLLER DESCRIPTION

## ROLLER SKIRT

This is a tube obtained from a hot galvanized band steel.

alternatively:  
tube in shockproof PVC (polyvinylchloride).

## BEARING HEADS

Made of PP (polypropylene) with complete ball insertion.

## SHAFTS

Drawn in steel made in accordance with UNI-EN 10233 Fe C40 standards.

## DETERMINING THE LOAD

TYPE		YP SERIES					
L		YP2006	YP3008	YP4008	YP5008	YP4010	YP5010
Roller length		C= Roller loads in daN					
80/200	C	5,00	10,00	15,00	20,00	15,00	20,00
250		5,00	10,00	15,00	20,00	15,00	20,00
300		3,00	9,00	13,00	20,00	13,00	20,00
350		3,00	8,00	11,00	20,00	11,00	20,00
400		1,00	6,00	9,00	18,00	9,00	18,00
450			5,00	8,00	16,00	8,00	16,00
500			4,00	6,00	14,00	6,00	14,00
550			2,00	5,00	12,00	5,00	12,00
600			1,00	3,00	10,00	3,00	10,00
650				2,00	8,00	2,00	8,00
700				1,00	7,00	1,00	7,00
750					6,00		6,00
800					4,00		4,00

TYPE		YA SERIES					
L		YP2006	YP3008	YP4008	YP5008	YP4010	YP5010
Roller length		C= Roller loads in daN					
80/200	C	5,00	10,00	18,00	23,00	18,00	23,00
250		5,00	10,00	18,00	23,00	18,00	23,00
300		4,00	10,00	18,00	23,00	18,00	23,00
350		3,00	9,00	16,00	21,00	16,00	21,00
400		2,00	8,00	16,00	19,00	16,00	19,00
450			7,00	15,00	17,00	15,00	17,00
500			6,00	14,00	16,00	14,00	16,00
550			5,00	12,00	15,00	12,00	15,00
600			4,00	11,00	15,00	11,00	15,00
650				10,00	14,00	10,00	14,00
700				9,00	13,00	9,00	13,00
750					12,00		12,00
800					11,00		11,00