

2-ROLLER GARLAND

"D" CODE	"D/X" CODE	A	L	T	D	D/X	d	f	P	Y	R	M	WEIGHT KG	N
G400602		363	343	315	89								7,05	500
G400622		428	408	380									8,11	650
G400632		513	493	465									9,51	800
G400642		648	628	600									11,73	1000
G400652		748	728	700									13,37	1200
G400662		848	828	800									15,01	1400
G400802	G431202	363	343	315	108	60/108	20	8,3	25,4	52	12	20	8,56	500
G400822	G431222	428	408	380									9,89	650
G400832	G431232	513	493	465									11,63	800
G400842	G431242	648	628	600									14,40	1000
G400852	G431252	748	728	700									16,44	1200
G400862	G431262	848	828	800									18,50	1400
G400902	G461302	363	343	315	133	89/133							12,08	500
G400922	G461322	428	408	380									14,06	650
G400932	G461332	513	493	465									16,65	800
G400942	G461342	648	628	600									20,75	1000
G400952	G461352	748	728	700									23,79	1200
G400962	G461362	848	828	800									26,83	1400

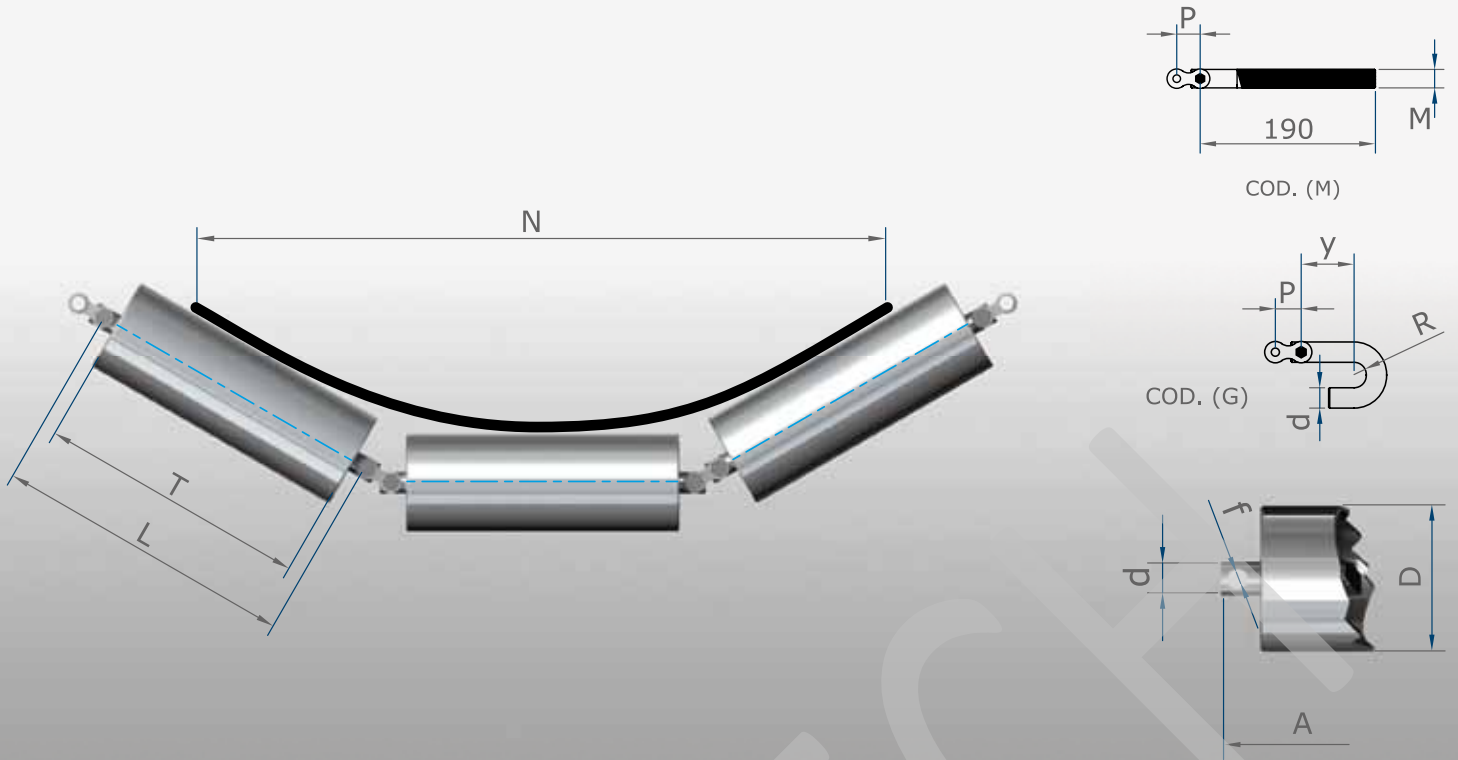
PRODUCT DESCRIPTION

Ring stations are indicated for conveyor belts with high loads carrying large pieces. They are composed of two rollers: their mobility transversally to the direction of the belt makes it possible to adapt to irregular loads and an increase in the belt's loading capacity. They are provided with two coupling systems as illustrated in the drawing.

2 ROLLER GARLAND														
"D" CODE	"D/X" CODE	A	L	T	D	D/X	d	f	P	Y	R	M	WEIGHT KG	N
G500602	-	371	347	315	89								9,09	500
G500622		436	412	380									10,33	650
G500632		521	497	465									11,97	800
G500642		656	632	600									14,56	1000
G500652		756	732	700									16,49	1200
G500662		856	832	800									18,41	1400
G500672		956	932	900									20,33	1600
G500802	G531202	371	347	315	108	60/108	25	10,3	31,75	62	15	24	10,64	500
G500822	G531222	436	412	380									12,15	650
G500832	G531232	521	497	465									14,13	800
G500842	G531242	656	632	600									17,27	1000
G500852	G531252	756	732	700									19,60	1200
G500862	G531262	856	832	800									21,92	1400
G500872	G531272	956	932	900									24,25	1600
G500902	G561302	371	347	315	133	89/133							14,19	500
G500922	G561322	436	412	380									16,35	650
G500932	G561332	521	497	465									19,17	800
G500942	G561342	656	632	600									23,65	1000
G500952	G561352	756	732	700									26,97	1200
G500962	G561362	856	832	800									30,28	1400
G500972	G561372	956	932	900									33,60	1600

2 ROLLER GARLAND														
"D" CODE	"D/X" CODE	A	L	T	D	D/X	d	f	P	Y	R	M	WEIGHT KG	N
G600602	-	387	355	315	89								11,11	500
G600622		452	420	380									12,58	650
G600632		537	505	465									14,50	800
G600642		672	640	600									17,55	1000
G600652		772	740	700									19,82	1200
G600662		872	840	800									22,07	1400
G600672		972	940	900									24,34	1600
G600802	-	387	355	315	108								12,66	500
G600822		452	420	380									14,39	650
G600832		537	505	465									16,66	800
G600842		672	640	600									20,26	1000
G600852		772	740	700									22,92	1200
G600862		872	840	800									25,59	1400
G600872		972	940	900									28,25	1600
G600902	G661302	387	355	315	133	89/133							16,21	500
G600922	G661322	452	420	380									18,59	650
G600932	G661332	537	505	465									21,70	800
G600942	G661342	672	640	600									26,63	1000
G600952	G661352	772	740	700									30,30	1200
G600962	G661362	872	840	800									33,95	1400
G600972	G661302	972	940	900									37,61	1600

N	500	650	800	1000	1200	1400	1600
No. CENTRAL RINGS	2	2	3	3	4	4	5
No. LATERAL RINGS	3	3	3	4	4	4	4
RINGS Ø 108 WEIGHT	1,68	1,68	1,92	2,32	2,56	2,56	2,80
RINGS Ø 133 WEIGHT	2,16	2,16	2,58	3,02	3,44	3,44	3,86



3-ROLLER GARLAND

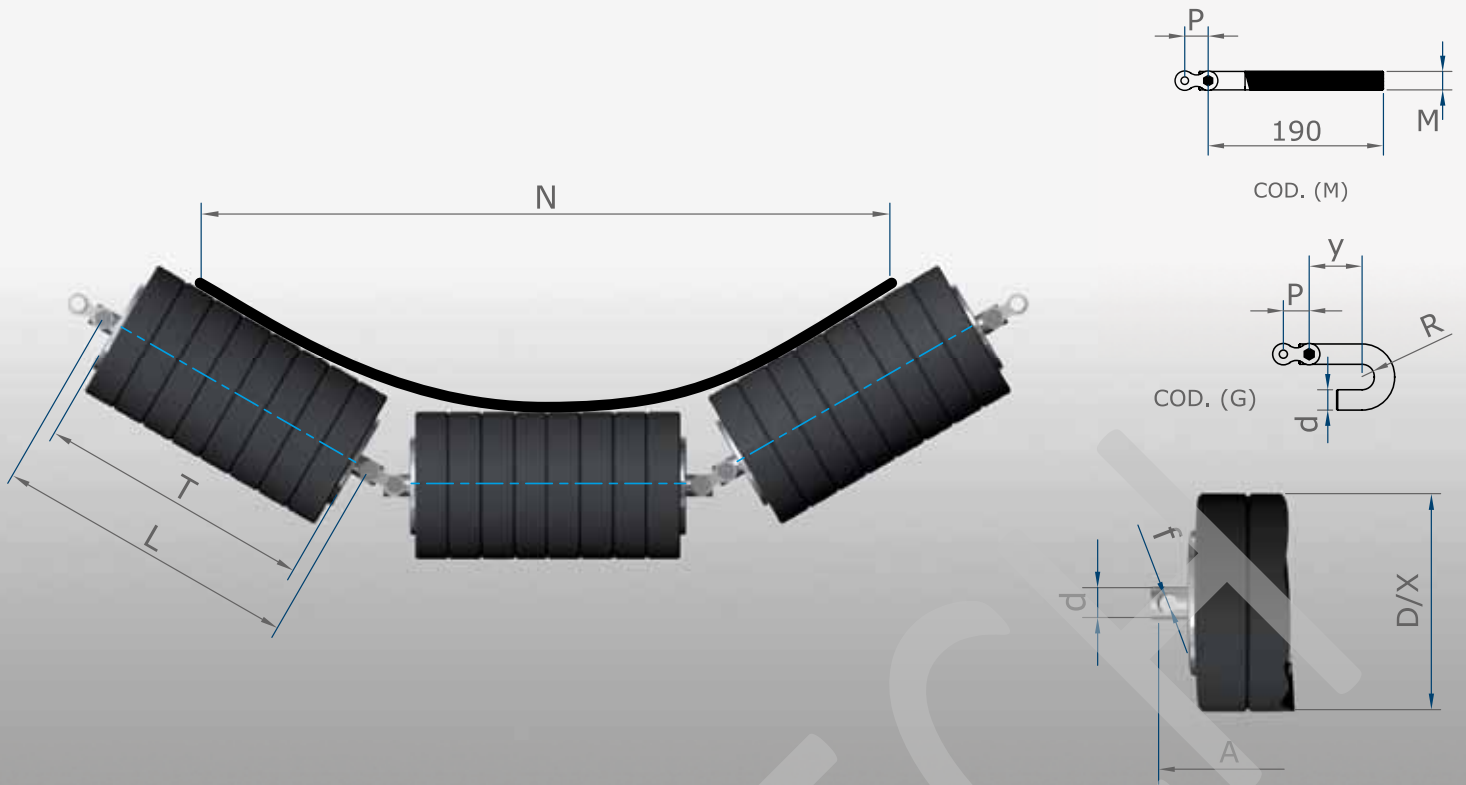
CODE	A	L	T	D	d	f	P	Y	R	M	WEIGHT KG	N
G400603	248	228	200	89							8,22	500
G400623	298	278	250								9,46	650
G400633	363	343	315								11,06	800
G400643	428	408	380								12,67	1000
G400653	513	493	465								14,76	1200
G400663	578	558	530								16,36	1400
G400803	248	228	200	108	20	8,3	25,4	52	12	20	9,80	500
G400823	298	278	250								11,33	650
G400833	363	343	315								13,34	800
G400843	428	408	380								15,33	1000
G400853	513	493	465								17,95	1200
G400863	578	558	530								19,94	1400
G400903	248	228	200	133							13,38	500
G400923	298	278	250								15,66	650
G400933	363	343	315								18,62	800
G400943	428	408	380								21,59	1000
G400953	513	493	465								25,46	1200
G400963	578	558	530								28,43	1400

PRODUCT DESCRIPTION

The garlands are indicated for conveyor belts with high loads carrying large pieces. They are composed of three rollers: their mobility transversally to the transport direction makes it possible to adapt to irregular loads and an increase in the belt's loading capacity. They are provided with two coupling systems as illustrated in the drawing.

3-ROLLER GARLAND												
CODE	A	L	T	D	d	f	P	Y	R	M	WEIGHT KG	N
G500603	256	232	200	89							10,32	500
G500623	306	282	250								11,77	650
G500633	371	347	315								13,63	800
G500643	436	412	380								15,51	1000
G500653	521	497	465								17,95	1200
G500663	586	562	530								19,83	1400
G500673	656	632	600								21,85	1600
G500803	256	232	200	108	25	10,3	31,75	62	15	24	11,96	500
G500823	306	282	250								13,70	650
G500833	371	347	315								15,97	800
G500843	436	412	380								18,24	1000
G500853	521	497	465								21,20	1200
G500863	586	562	530								23,47	1400
G500873	656	632	600								25,92	1600
G500903	256	232	200	133							15,55	500
G500923	306	282	250								18,04	650
G500933	371	347	315								21,28	800
G500943	436	412	380								24,52	1000
G500953	521	497	465								28,75	1200
G500963	586	562	530								31,98	1400
G500973	656	632	600								35,46	1600

3-ROLLER GARLAND												
CODE	A	L	T	D	d	f	P	Y	R	M	WEIGHT KG	N
G600603	272	240	200	89							14,40	500
G600623	322	290	250								16,10	650
G600633	387	355	315								18,30	800
G600643	452	420	380								20,51	1000
G600653	537	505	465								23,40	1200
G600663	602	570	530								25,60	1400
G600673	672	640	600								28,65	1600
G600803	272	240	200	108	30	14,5	38,10	70	20	30	16,91	500
G600823	322	290	250								18,91	650
G600833	387	355	315								21,52	800
G600843	452	420	380								24,10	1000
G600853	537	505	465								27,50	1200
G600863	602	570	530								30,10	1400
G600873	672	640	600								32,90	1600
G600903	272	240	200	133							20,84	500
G600923	322	290	250								23,59	650
G600933	387	355	315								27,16	800
G600943	452	420	380								30,72	1000
G600953	537	505	465								35,38	1200
G600963	602	570	530								38,94	1400
G600973	672	640	600								42,80	1600



3-ROLLER IMPACT RING GARLAND

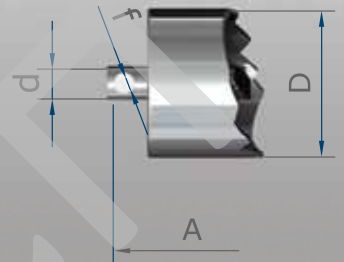
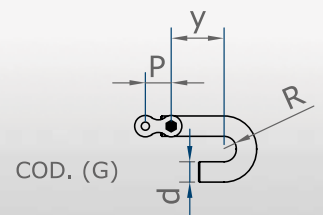
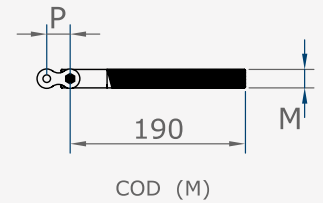
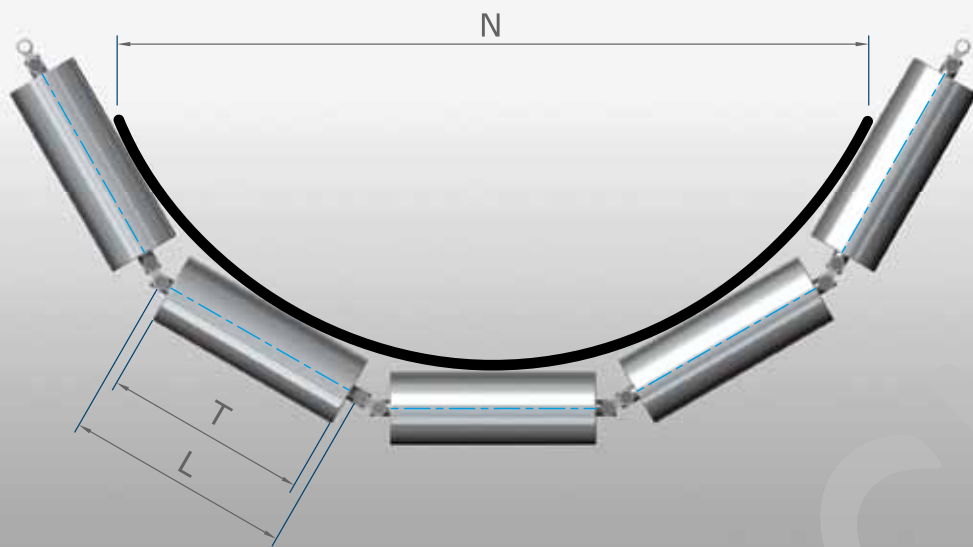
CODE	A	L	T	D/X	d	f	P	Y	R	M	WEIGHT KG	N
G431003	248	228	200	60/89	20	8,3	25,4	52	12	20	7,05	500
G431023	298	278	250								8,26	650
G431033	363	343	315								9,85	800
G431043	428	408	380								11,43	1000
G431053	513	493	465								13,50	1200
G431063	578	558	530								15,08	1400
G431203	248	228	200	60/108	20	8,3	25,4	52	12	20	7,71	500
G431223	298	278	250								9,10	650
G431233	363	343	315								10,90	800
G431243	428	408	380								12,69	1000
G431253	513	493	465								15,05	1200
G431263	578	558	530								16,84	1400
G461303	248	228	200	89/133	20	8,3	25,4	52	12	20	10,13	500
G461323	298	278	250								11,84	650
G461333	363	343	315								14,08	800
G461343	428	408	380								16,31	1000
G461353	513	493	465								19,23	1200
G461363	578	558	530								21,46	1400

PRODUCT DESCRIPTION

Impact garland are indicated for conveyor belts with high loads carrying large pieces. They are composed of three rollers: their mobility transversally to the transport direction makes it possible to adapt to irregular loads and an increase in the belt's loading capacity. They are provided with two coupling systems as illustrated in the drawing.

3-ROLLER IMPACT RING GARLAND																		
CODE	A	L	T	D/X	d	f	P	Y	R	M	WEIGHT KG	N						
G531003	256	232	200	60/89	25	10,3	31,75	62	15	24	7,74	500						
G531023	306	282	250								9,03	650						
G531033	371	347	315								10,71	800						
G531043	436	412	380								12,39	1000						
G531053	521	497	465								14,56	1200						
G531063	586	562	530								16,26	1400						
G531073	656	632	600								18,07	1600						
G531203	256	232	200	60/108							25	10,3	31,75	62	15	24	8,40	500
G531223	306	282	250														9,86	650
G531233	371	347	315														11,76	800
G531243	436	412	380														13,65	1000
G531253	521	497	465														16,13	1200
G531263	586	562	530														18,03	1400
G531273	656	632	600														20,07	1600
G561303	256	232	200	89/133	25	10,3	31,75	62	15	24							12,29	500
G561323	306	282	250														14,15	650
G561333	371	347	315														16,58	800
G561343	436	412	380														19,01	1000
G561353	521	497	465														22,18	1200
G561363	586	562	530														24,61	1400
G561373	656	632	600														27,22	1600

3-ROLLER IMPACT RING GARLAND												
CODE	A	L	T	D/X	d	f	P	Y	R	M	WEIGHT KG	N
G661303	272	240	200	89/133	30	14,5	38,1	70	20	30	15,02	500
G661323	322	290	250								17,19	650
G661333	387	355	315								20,00	800
G661343	452	420	380								22,82	1000
G661353	537	505	465								26,50	1200
G661363	602	570	530								29,32	1400
G661373	672	640	600								32,35	1600



5-ROLLER GARLAND

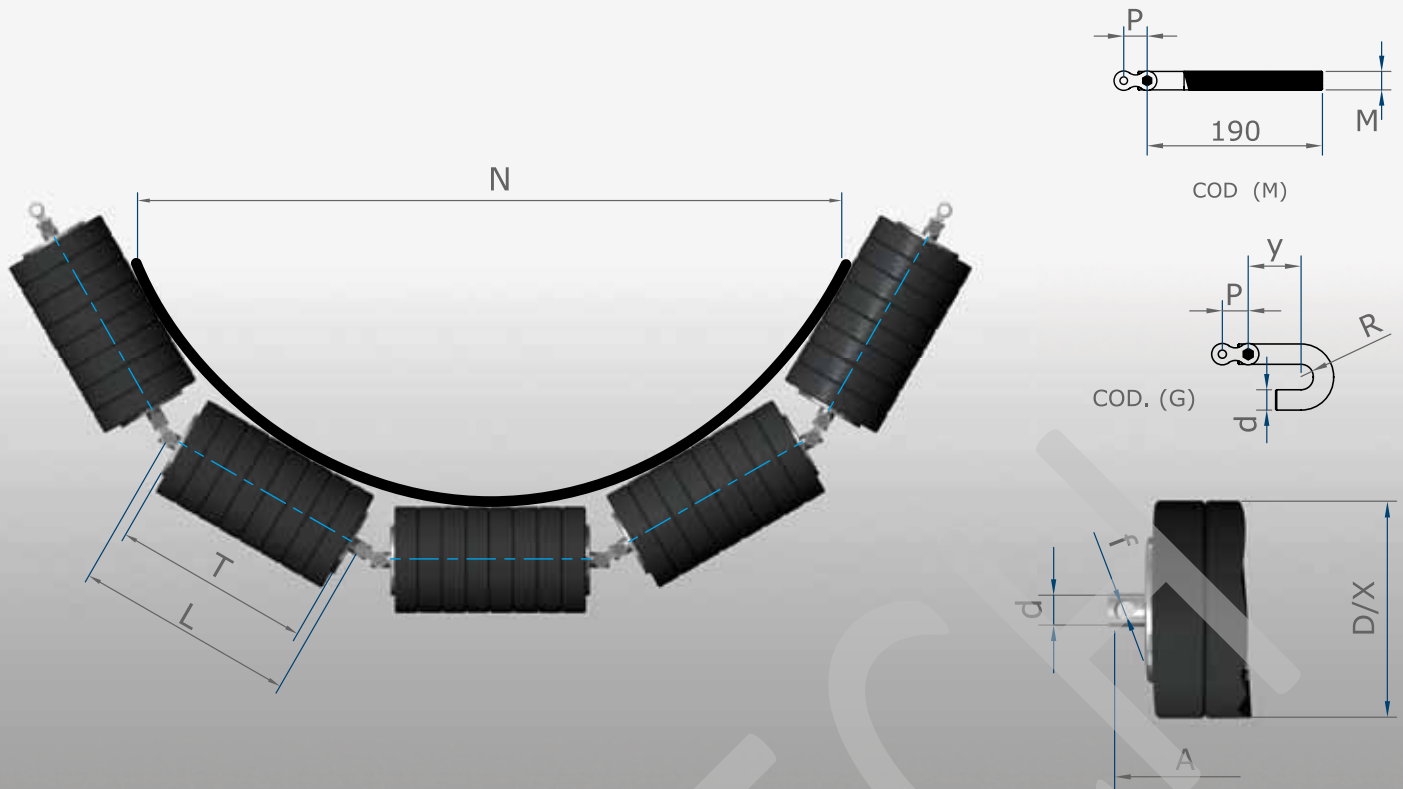
CODE	A	L	T	D	d	f	P	Y	R	M	WEIGHT KG	N
G400635	213	193	165	89							11,45	800
G400645	253	233	205								13,09	1000
G400655	298	278	250								14,94	1200
G400665	338	318	290								16,58	1400
G400835	213	193	165	108	20	8,3	25,40	52	12	20	13,72	800
G400845	253	233	205								15,77	1000
G400855	298	278	250								18,07	1200
G400865	338	318	290								20,12	1400
G400935	213	193	165	133							18,81	800
G400945	253	233	205								21,85	1000
G400955	298	278	250								25,33	1200
G400965	338	318	290								28,32	1400

PRODUCT DESCRIPTION

The garlands are indicated for conveyor belts with high loads carrying large pieces. They are composed of five rollers: their mobility transversally to the transport direction makes it possible to adapt to irregular loads and an increase in the belt's loading capacity. They are provided with two coupling systems as illustrated in the drawing.

5-ROLLER GARLAND												
CODE	A	L	T	D	d	f	P	Y	R	M	WEIGHT KG	N
G500635	221	197	165	89							14,12	800
G500645	261	237	205								16,04	1000
G500655	306	282	250								18,20	1200
G500665	346	322	290								20,13	1400
G500675	396	372	340								22,52	1600
G500835	221	197	165	108	25	10,3	31,75	62	15	24	16,50	800
G500845	261	237	205								18,81	1000
G500855	306	282	250								20,56	1200
G500865	346	322	290								23,76	1400
G500875	396	372	340								26,66	1600
G500935	221	197	165	133							21,63	800
G500945	261	237	205								24,94	1000
G500955	306	282	250								28,68	1200
G500965	346	322	290								32,00	1400
G500975	396	372	340								36,14	1600

5-ROLLER GARLAND												
CODE	A	L	T	D	d	f	P	Y	R	M	WEIGHT KG	N
G600635	237	205	165	89							20,16	800
G600645	277	245	205								22,42	1000
G600655	322	290	250								24,97	1200
G600665	362	330	290								27,23	1400
G600675	412	380	340								29,17	1600
G600835	237	205	165	108	30	14,5	38,10	70	20	30	22,73	800
G600845	277	245	205								25,40	1000
G600855	322	290	250								28,40	1200
G600865	362	330	290								31,06	1400
G600875	412	380	340								33,50	1600
G600935	237	205	165	133							28,54	800
G600945	277	245	205								32,20	1000
G600955	322	290	250								36,31	1200
G600965	362	330	290								39,97	1400
G600975	412	380	340								44,54	1600



5-ROLLER IMPACT RING GARLAND

CODE	A	L	T	D/X	d	f	P	Y	R	M	WEIGHT KG	N
G431035	221	197	165	60/89							9,77	800
G431045	261	237	205								11,30	1000
G431055	306	282	250								13,02	1200
G431065	346	322	290								14,56	1400
G431235	221	197	165	60/108	20	8,3	25,4	52	12	20	10,32	800
G431245	261	237	205								11,98	1000
G431255	306	282	250								13,86	1200
G431265	346	322	290								15,52	1400
G461335	221	197	165	89/133							13,92	800
G461345	261	237	205								16,01	1000
G461355	306	282	250								18,36	1200
G431265	346	322	290								20,46	1400

PRODUCT DESCRIPTION

Impact ring garland are indicated for conveyor belts with high loads carrying large pieces. They are composed of five rollers: their mobility transversally to the transport direction makes it possible to adapt to irregular loads and an increase in the belt's loading capacity. They are provided with two coupling systems as illustrated in the drawing.

5-ROLLER IMPACT RING GARLAND												
CODE	A	L	T	D/X	d	f	P	Y	R	M	WEIGHT KG	N
G531035	221	197	165	60/89	25	10,3	31,75	62	15	24	10,49	800
G531045	261	237	205								12,12	1000
G531055	306	282	250								13,96	1200
G531065	346	322	290								15,39	1400
G531075	396	372	340								17,63	1600
G531235	221	197	165	60/108	25	10,3	31,75	62	15	24	11,04	800
G531245	261	237	205								12,80	1000
G531255	306	282	250								14,79	1200
G531265	346	322	290								16,56	1400
G531275	396	372	340								18,77	1600
G561335	221	197	165	89/133	30	14,5	38,1	70	20	30	16,96	800
G561345	261	237	205								19,25	1000
G561355	306	282	250								21,83	1200
G561365	346	322	290								24,13	1400
G561375	396	372	340								26,99	1600

5-ROLLER IMPACT RING GARLAND												
CODE	A	L	T	D/X	d	f	P	Y	R	M	WEIGHT KG	N
G661335	237	205	165	89/133	30	14,5	38,1	70	20	30	21,03	800
G661345	277	245	205								23,72	1000
G661355	322	290	250								26,75	1200
G661365	362	330	290								29,45	1400
G661375	412	380	340								32,81	1600