

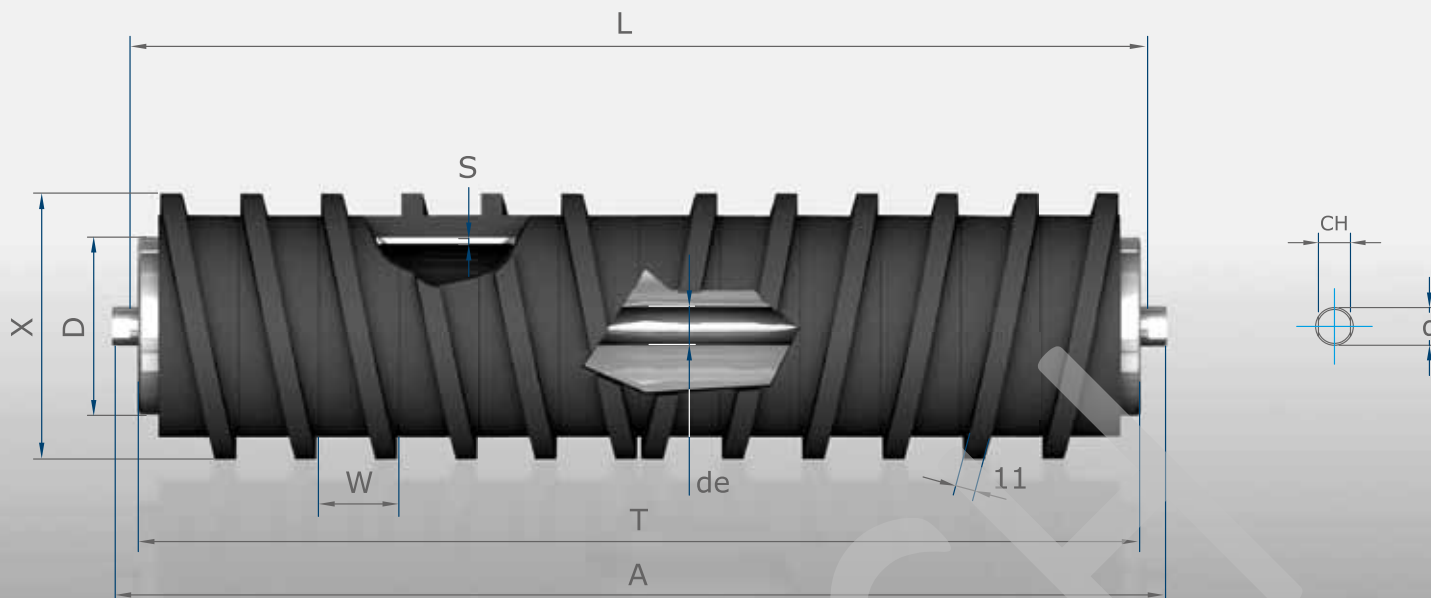
WITH STEEL SPIRAL

| CODE | D | S | L | T | A | CH | d | de | X | SPIRAL WEIGHT BY CM |
|-------|----|---|-----|-----|-------|-------|----|-------|-----|---------------------|
| P3330 | 60 | 3 | T+8 | L-8 | L+18 | 17 | 20 | 15 | 76 | 0,010 |
| P3431 | 76 | | | | | | | | 92 | 0,013 |
| P3632 | 89 | | | | | 105 | | 0,016 | | |
| P4330 | 60 | | | | | 76 | | 0,010 | | |
| P4431 | 76 | | | | 14/17 | 20 | 92 | 0,013 | | |
| P4632 | 89 | | | | L+24 | 17/18 | 25 | 25 | 105 | 0,016 |
| P5632 | | | | | | 22 | 30 | 30 | | |
| P6632 | | | | | | | | | | |

* The dimensions in the table refer to a type "A" form of coupling.

PRODUCT DESCRIPTION

The cleaner rollers with steel spiral are composed of a base roller welded on which are two steel spirals that depart from the centre with a left-hand and right-hand screws. Their function is to expel the material at the sides of the belt.



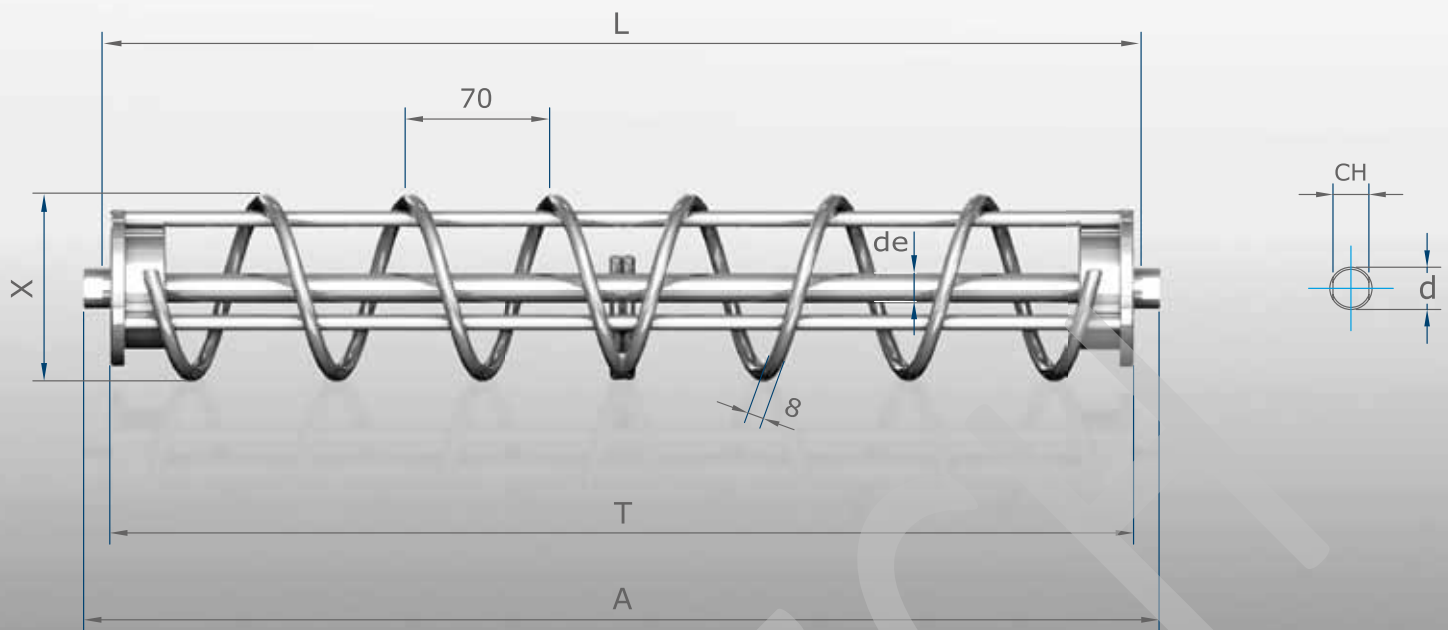
WITH HELICAL RUBBER RINGS

| CODE | D | S | L | T | A | X | W | de | CH | d | RING WEIGHT | | | |
|--------|----|---|-----|-----|------|-----|----|------|-------|----|-------------|-------|----|------|
| PG3340 | 60 | 3 | T+8 | L-8 | L+18 | 108 | 40 | 15 | 17 | 20 | 0,17 | | | |
| PG4340 | | | | | | | | 20 | 14/17 | | | | | |
| PG4641 | 89 | | | | | | | | | | 25 | 17/18 | 25 | 0,19 |
| PG5641 | 89 | | | | | | | L+24 | 133 | | 30 | 22 | 30 | |
| PG6641 | 89 | | | | | | | | | | | | | |

* The dimensions in the table refer to a type "A" form of coupling.

PRODUCT DESCRIPTION

These consist of a base roller and helical anti-abrasion rubber rings. Their function is to expel the material at the sides of the belt.



WITH SPIRAL ON CAGE

| CODE | L | T | A | X | de | CH | d | WEIGHT L 200 | BY CM |
|---------|-----|-----|------|-----|----|-------|----|--------------|-------|
| PST3450 | T+8 | L-8 | L+18 | 92 | 15 | 17 | 20 | 4,21 | 0,052 |
| PST4650 | | | | 105 | 20 | 14/17 | | 5,43 | 0,066 |

* The dimensions in the table refer to a type "A" form of coupling.

PRODUCT DESCRIPTION

The steel cleaner rollers are composed of two stout bearing heads, joined together using three shafts at 120°, welded on which are two steel spirals with a right-hand and a left-hand screw. They are used in conveyors of sticky materials as their form also allows the material to drop through the roller.